



Kirby Morgan 97 Helmet P/N 500-700 / 500-701

Location #	Part #	Description
1	510-575	Nose Block Pad
2	545-015	Nose Block Device
3	520-020	Valve Body
4	510-550	Valve, Oral Nasal
5	510-747	Oral Nasal Mask
6	530-058	Screw
7	330-405	Washer, Lock
8	540-591	Handle, Helmet, KM 97
9	530-059	Screw
10	510-795	Grip, Handle
11	430-075	Washer
12	530-052	Screw
13	505-766	Handle Assembly, KM 97
14	560-517	Helmet Shell, Stainless Steel
15	505-753	Airtrain Assembly, Stainless Helmet
16	550-571	Sleeve
17	530-083	Screw
18	550-574	Spacer
19	530-535	Washer
20	530-415	Washer
21	530-317	Nut
22	530-059	Screw
23	550-566	Adapter
24	530-052	Screw
25	550-062	Knob, Nose Block
26	555-180	Packing Nut, Nose Block
27	510-008	O-ring
28	540-563	Port Retainer
29	505-738	Port Retainer Assembly
30	510-010	O-ring
31	520-004	Face Port
32	510-260	O-ring, View Port
33	550-081	Regulator Mount Nut
34	510-490	O-ring
35	530-145	Nut
36	530-527	Washer
37	510-403	Gasket, Pod
38	540-012	Retainer Ring
39	520-022	Exhaust Valve Insert
40	510-776	Exhaust Valve
41	510-019	O-ring
42	560-556	Regulator Mount Pod, 350
43	520-042	Tie Wrap
44	430-134	Washer
45	530-089	Screw
46	530-086	Screw
47	520-042	Tie Wrap
48	520-200	Valve Seat

Location #	Part #	Description
49	510-776	Exhaust Valve
50	530-008	Brass Screw
51	520-118	Tri/Quad Valve Whisker Clamp
52	510-787	Port Whisker Wing
53	550-586	Spacer, Whisker
54	530-070	Screw
55	560-300	Zinc Whisker Anode
56	530-009	Brass Nut
57	505-455	455 Balanced Regulator
58	510-760	Main Body Quad Valve Exhaust
59	510-786	Starboard Whisker Wing
60	505-730	Quad Valve Exhaust Assembly
61	505-776	455 Regulator Pod Assembly
62	530-145	Lock Nut
63	530-086	Screw
64	530-032	Screw
65	530-035	Screw
66	530-546	Washer for Swing Catch
67	550-061	Spacer
68	540-086	Swing Catch
69	520-167	Teflon® Washer for Swing Catch
70	535-825	Spring, Swing Catch
71	550-122	Spring Spacer
72	530-045	Screw
73	505-748	Chin Strap Assembly, w/ Snaps, S.S.
74	530-028	Lock Nut
75	505-755	Locking Collar Assembly, S.S.
76	530-027	Hinge Bolt
77	520-165	Washer
78	530-545	Washer
79	505-746	Neck Ring Assembly, Medium, S.S.
80	530-037	Screw
81	505-742	Earphone Retainer Assembly, S.S.
82	505-740	Snap Assembly, S.S.
83	505-110	Sealed Pull Pin Assembly
84	530-015	Screw
85	320-026	Comm. Mount Nut
86	515-018	Earphone, Right, 9"
87	515-019	Earphone, Left, 15.5"
88	515-029	Microphone Assembly
89	515-024	Comm. Assembly w/MWP
90	515-023	Comm. Assembly w/Posts
91	505-732	Side block Assembly
92	520-033	O-ring, Teflon®
93	555-154	Bent Tube Assembly, No O-rings
94	560-304	Zinc Sleeve Anode
95	520-038	Tie Wrap
96	510-012	O-ring

Location #	Part #	Description
97	510-683	Chin Cushion Assembly
	510-639	Chin Cushion Bag
98	510-837	Head Cushion Foam Spacer Assembly
	510-836	Head Cushion Foam Spacer Bag
99	510-754	Head Cushion Assembly
	510-722	Head Cushion Bag

⚠ CAUTION

Use only Kirby Morgan original replacement parts. The use of other manufacturers' parts will interfere with the performance characteristics of your life support equipment and may jeopardize your safety. Additionally, any substitutions will void any warranties offered by KMDSI. When ordering spares, always insist on Kirby Morgan original parts.

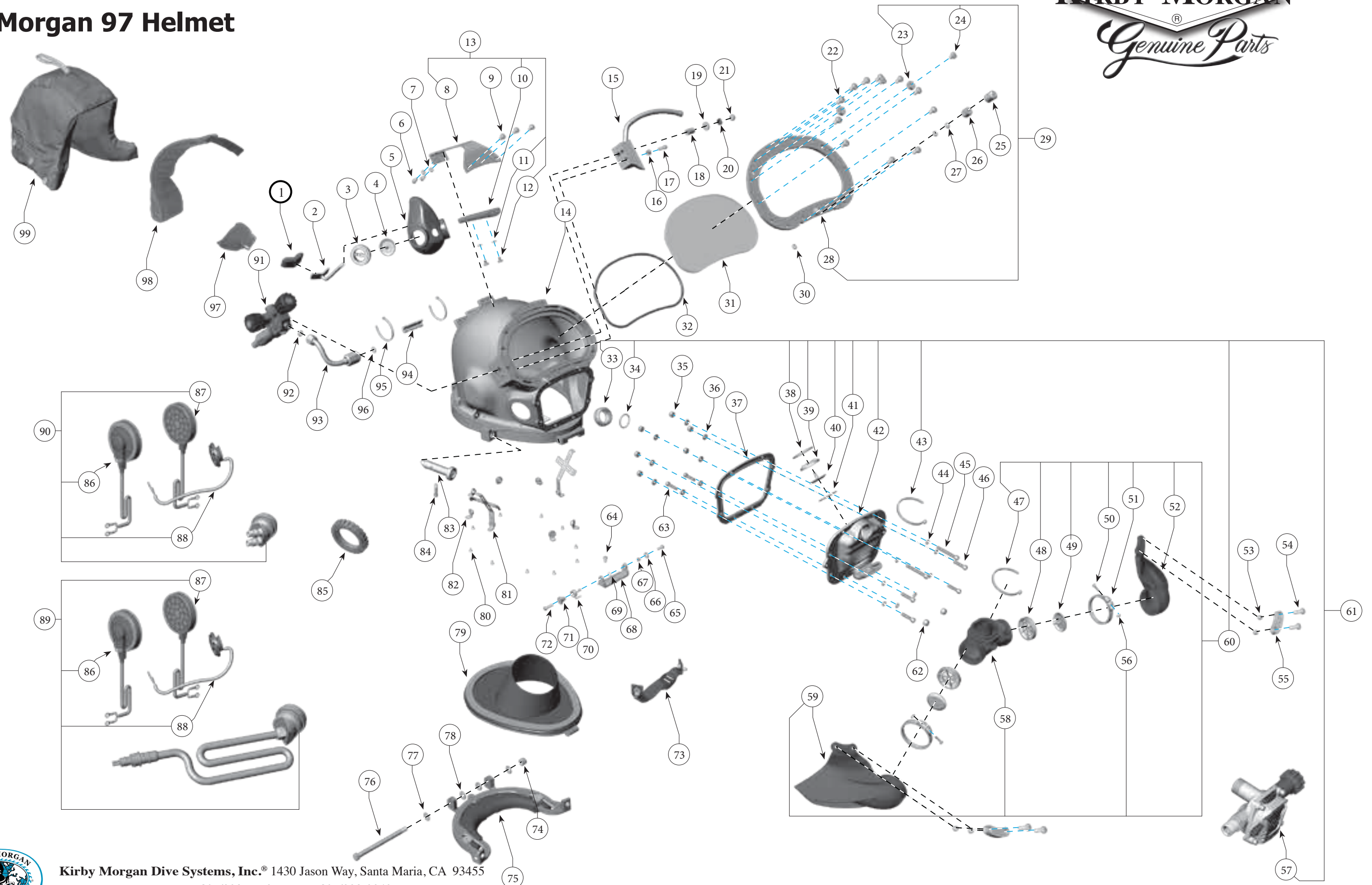


Kirby Morgan Dive Systems, Inc.® 1430 Jason Way, Santa Maria, CA 93455

Phone: 805/928-7772 Fax: 805/928-0342

www.KirbyMorgan.com e-mail: kmdsi@KirbyMorgan.com

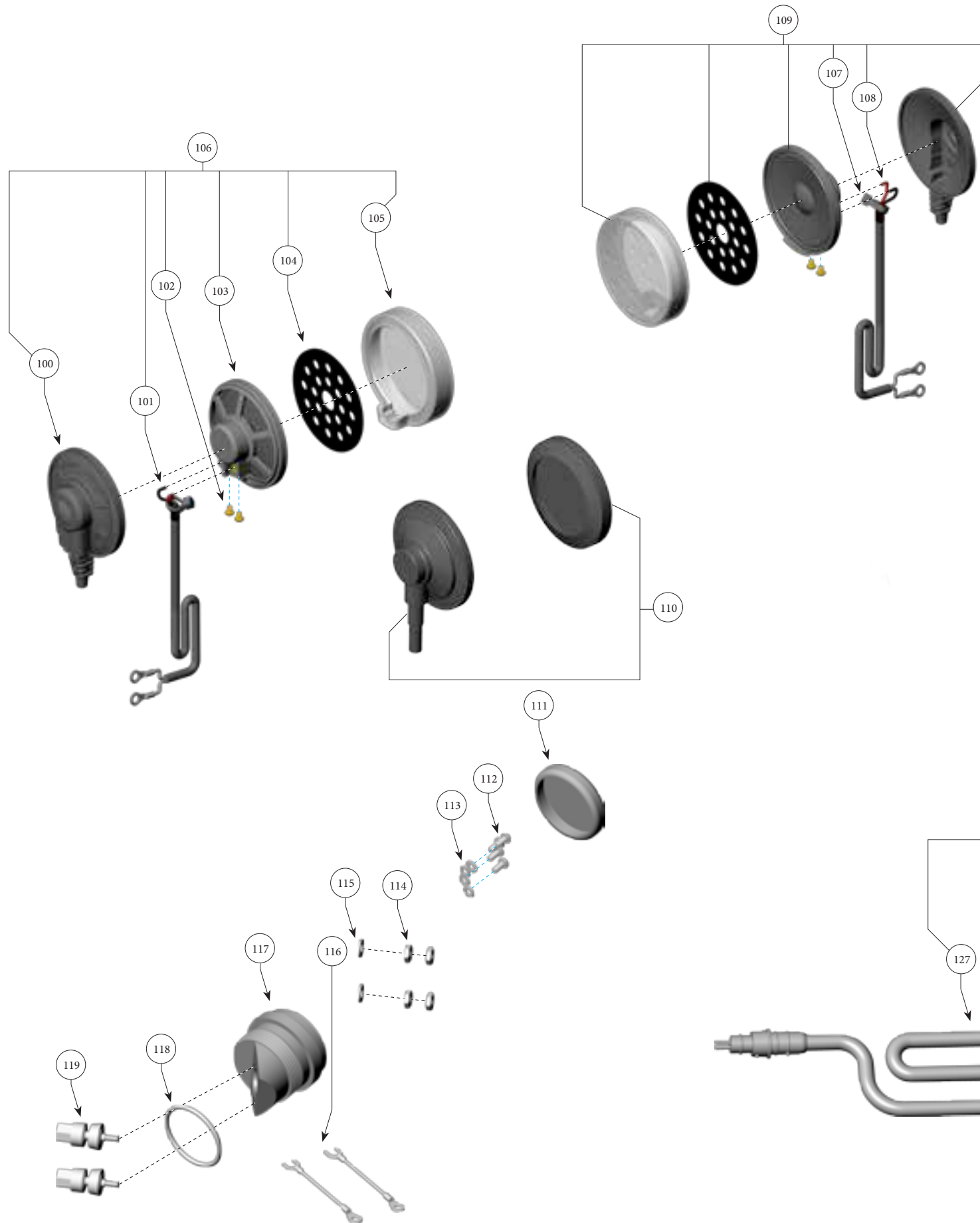
Kirby Morgan 97 Helmet



Kirby Morgan Dive Systems, Inc.[®] 1430 Jason Way, Santa Maria, CA 93455

Phone: 805/928-7772 Fax: 805/928-0342

www.KirbyMorgan.com e-mail: kmdsi@KirbyMorgan.com



Location #	Part #	Description
100		For Earphone Cover Set Order 510-842
101	515-102	Communication Wire 9"
102	530-098	Screw
103	515-090	Earphone, Speaker Only
104	520-015	Protector, Earphone
105		For Earphone Cover Set Order 510-842
106	515-018	Earphone, Right 9"
107	520-038	Tie-Wrap
108	515-101	Communication Wire 15.5"
109	515-019	Earphone, Right 15.5"
110	510-542	Covers, Earphone, Pre-April 2011
111	510-630	Cover, Comm. Module
112	330-030	Screw
113	330-035	Washer
114	530-308	Hex Nut
115	530-525	Washer
116	515-055	Wiring Harness, Posts
117	520-130	Comm. Module for Posts

Location #	Part #	Description
118	510-029	O-ring
119	315-020	Comm. Posts
120	550-040	Nut
121	520-132	Comm. Module for MWP
122	515-049	Single Wire Terminal
123	510-481	O-ring
124	555-175	Packing Gland
125	520-113	Ferrule Set
126	555-178	Packing Nut
127	515-045	W.P. Connector (Male) 4 Pin
128	505-047	W.P. Connector Assembly

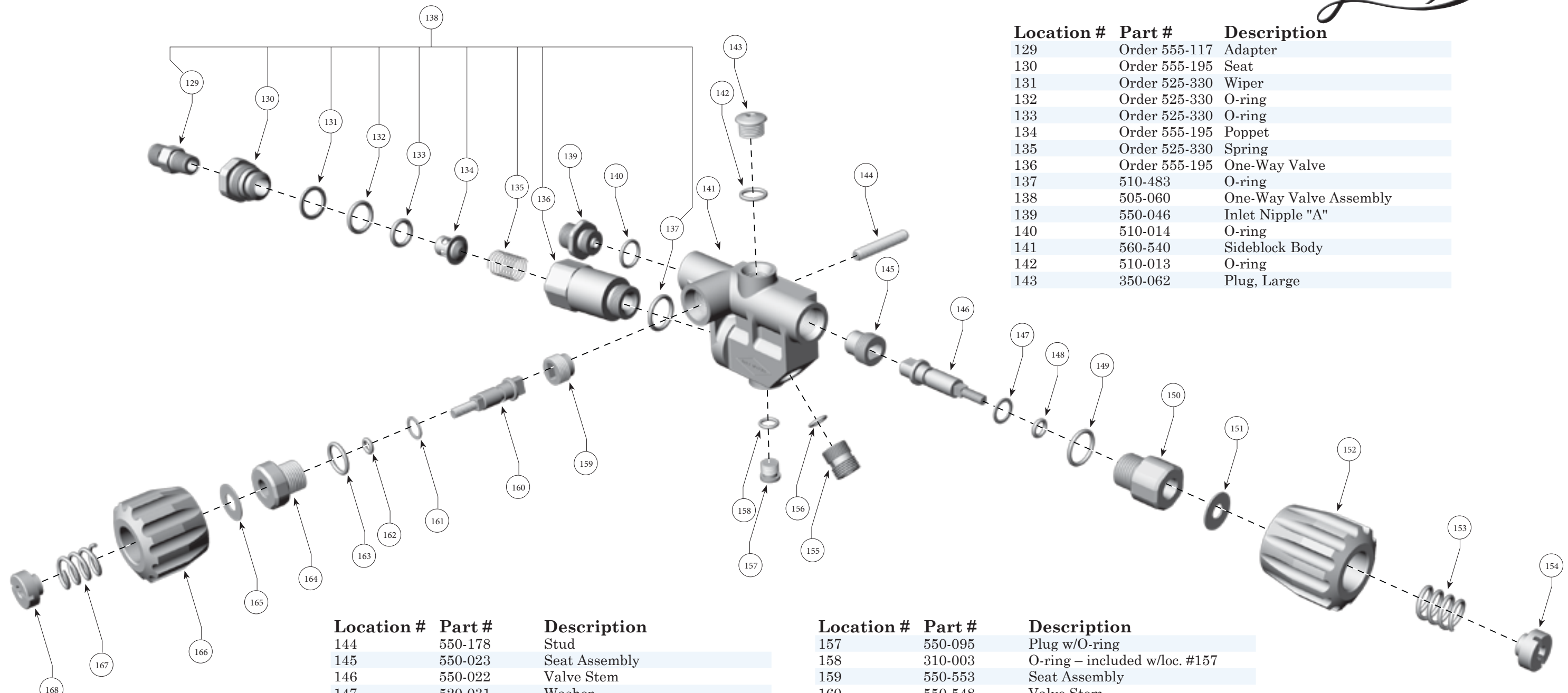


Kirby Morgan Dive Systems, Inc.[®] 1430 Jason Way, Santa Maria, CA 93455

Phone: 805/928-7772 Fax: 805/928-0342

www.KirbyMorgan.com e-mail: kmdsi@KirbyMorgan.com

Sideblock Assembly for KM 97 P/N 505-732



Location #	Part #	Description
129	Order 555-117	Adapter
130	Order 555-195	Seat
131	Order 525-330	Wiper
132	Order 525-330	O-ring
133	Order 525-330	O-ring
134	Order 555-195	Poppet
135	Order 525-330	Spring
136	Order 555-195	One-Way Valve
137	510-483	O-ring
138	505-060	One-Way Valve Assembly
139	550-046	Inlet Nipple "A"
140	510-014	O-ring
141	560-540	Sideblock Body
142	510-013	O-ring
143	350-062	Plug, Large

Location #	Part #	Description
144	550-178	Stud
145	550-023	Seat Assembly
146	550-022	Valve Stem
147	520-031	Washer
148	510-010	O-ring
149	510-015	O-ring
150	550-568	Bonnet
151	520-030	Washer
152	520-524	Flex Knob, Steady Flow
153	535-802	Spring
154	550-019	Lock Nut
155	550-564	Bent Tube, Sideblock, Adapter*
156	520-033	O-ring*

Location #	Part #	Description
157	550-095	Plug w/O-ring
158	310-003	O-ring – included w/loc. #157
159	550-553	Seat Assembly
160	550-548	Valve Stem
161	520-523	Washer
162	510-008	O-ring
163	510-014	O-ring
164	550-551	Bonnet
165	520-522	Washer
166	520-525	Flex Knob, Emergency
167	535-802	Spring
168	550-019	Lock Nut

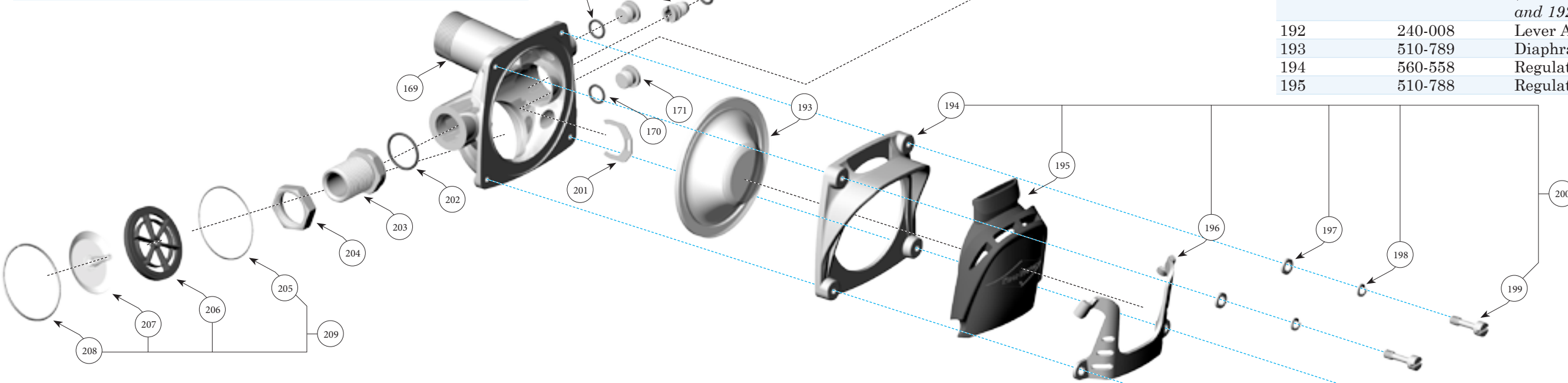
*Dealer Service only



Kirby Morgan Dive Systems, Inc. 1430 Jason Way, Santa Maria, CA 93455
 Phone: 805/928-7772 Fax: 805/928-0342
www.KirbyMorgan.com e-mail: kmdsi@KirbyMorgan.com

455 Regulator Assembly, P/N 505-455, for the KM 97 Helmet

Location #	Part #	Description
169	Order 505-085	Regulator Body Assembly (Loc. # 209)
170	310-003	O-ring
171	550-095	Plug, w/O-ring
172	250-031	Adjustable Nipple
173	510-010	O-ring
174	510-015	O-ring
175	220-056	Bearing Clip
176	550-161	455 Main Tube
177	210-060	Valve Seat
178	Order 205-020	Inlet Valve
179	205-020	Inlet Valve Assembly
180	235-015	Spring
181	210-055	O-ring
182	550-549	Spacer, Balanced
183	510-017	O-ring
184	550-643	Transfer Pin
185	550-567	Adjustment Packing Nut
186	510-012	O-ring
187	550-640	Shaft Bearing Washer
188	550-158	Adjustment Shaft



Location #	Part #	Description
189	520-517	Flex Knob
190	505-088	Adjustment (Flex) Knob/Packing Nut Assembly (Loc. #184 NOT Included)
191	505-087	Main Tube Assembly (Also includes loc. #184, 190 and 192)
192	240-008	Lever Arm
193	510-789	Diaphragm
194	560-558	Regulator Cover Retainer Frame
195	510-788	Regulator Purge Cover

Location #	Part #	Description
196	540-053	Regulator Cover Guard
197	530-518	Washer
198	330-405	Lock Washer
199	530-099	Cover Retainer Screw
200	505-086	Regulator Cover Retainer Assembly
201	540-531	Packing Lock Clip
202	510-017	O-ring
203	550-533	Bent Tube Adapter

Location #	Part #	Description
204	550-050	Jam Nut
205	510-019	O-ring
206	520-022	Exhaust Valve Insert
207	510-796	Exhaust Valve
208	540-012	Retaining Ring
209	505-085	Regulator Body Assembly (Also includes loc. #169, 170 and 171)



Kirby Morgan Dive Systems, Inc.[®] 1430 Jason Way, Santa Maria, CA 93455

Phone: 805/928-7772 Fax: 805/928-0342

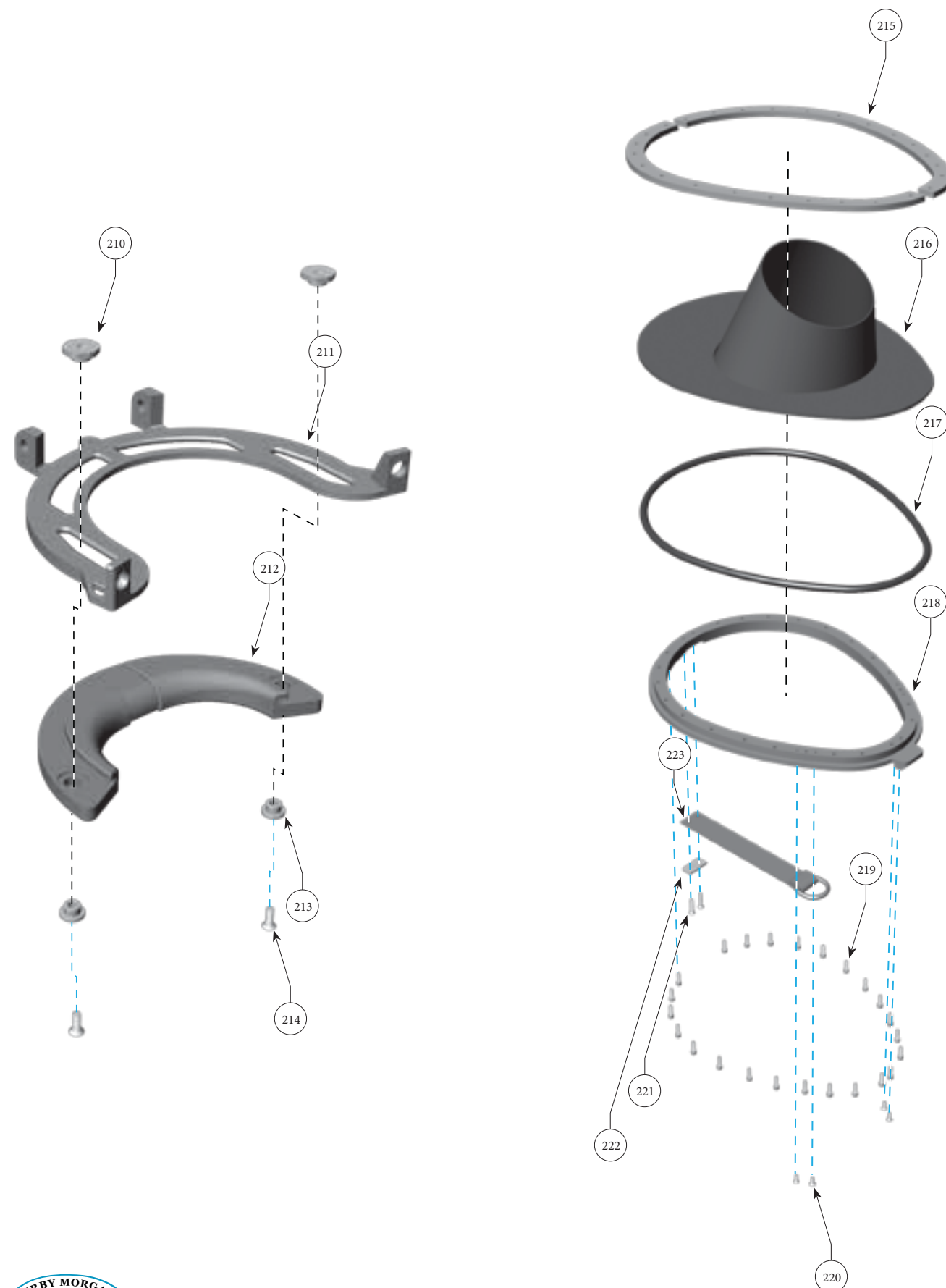
www.KirbyMorgan.com e-mail: kmsdi@KirbyMorgan.com

Locking Collar Assembly for Stainless Steel Helmets P/N 505-755

Location #	Part #	Description
210	550-113	Adjustment Nut, Neck Pad
211	560-541	Locking Collar, Stainless Steel
212	520-098	Neck Pad
213	550-045	T-Washer
214	530-064	Screw

Neck Ring Assembly for Stainless Steel Helmets P/N 505-746

Location #	Part #	Description
215	540-546	Split Ring, Stainless Steel
216	510-628	Neoprene Neck Dam, Medium
217	510-450	O-ring, Neck Ring
218	560-542	Stepped Ring, Stainless Steel
219	530-024	Screw
220	530-022	Screw
221	530-220	Screw
222	540-115	Strap Plate
223	505-142	Pull Strap Assembly



Kirby Morgan Dive Systems, Inc.[®] 1430 Jason Way, Santa Maria, CA 93455

Phone: 805/928-7772 Fax: 805/928-0342

www.KirbyMorgan.com e-mail: kmdsi@KirbyMorgan.com