

# Kirby Morgan 37 Helmet 500-050 / 500-051

Location #	Part #	Description
1	520-054	Visor
2	510-682	Head Cushion
	510-654	Head Cushion Bag
3	510-683	Chin Cushion
	510-639	Chin Cushion Bag
	510-672	Replacement Foam Kit
4	505-024	Side Block Assembly (B)
	505-025	Side Block Assembly (B), Brass
5	520-033	O-ring, Teflon
6	555-154	Bent tube Assembly, No O-rings
7	510-012	O-ring
8	555-155	Bent Tube Assem w/O-rings
9	560-125	Weight, Top
	560-116	Weight, Top, Brass
10	530-070	Screw
11	530-032	Screw
12	530-070	Screw
13	530-540	Washer
14	505-107	Helmet Shell, 37 with Ring
15	530-078	Screw
16	530-540	Washer
17	530-527	Washer
18	530-078	Screw
19	560-133	Handle, 37
	560-136	Handle, Brass, 37
20	560-192	Plaque, 37
21	560-194	Handle with Plaque, 37
	560-195	Handle with Plaque, Brass 37
22	530-045	Screw
23	510-762	Air Train Gasket
24	530-050	Screw
25	530-535	Washer
26	530-415	Washer, Lock
27	530-317	Nut
28	545-016	Air Train
29	530-535	Washer
30	530-317	Nut
31	560-032	Weight, Port Side
	560-033	Weight, Port Side, Brass
32	530-062	Screw
33	530-052	Screw
34	530-035	Screw
35	550-062	Knob, Nose Block
	550-252	Knob, Nose Block, Brass
36	555-180	Packing Nut
	555-190	Packing Nut, Brass
37	510-008	O-ring

Location #	Part #	Description
38	550-116	Nose Block Guide
	550-249	Nose Block Guide, Brass
39	560-070	Port Retainer, w/#38
	560-071	Port Retainer, Brass, w/#38
40	510-010	O-ring
41	520-004	Face Port/ Lens
42	510-260	O-ring, View Port
43	530-015	Screw
44	530-032	Screw
45	505-110	Sealed Pull Pin
46	550-063	Exhaust Body
47	510-561	Main Exhaust Valve
48	510-033	O-ring
49	520-042	Tie Wrap
50	530-019	Screw
51	510-007	O-ring
52	560-530	Main Exhaust Adapter Cover
53	505-111	Chin Strap Assembly <i>Purchase 525-716 Kit</i>
54	510-786	Starboard Whisker Wing
55	510-760	Quad Valve Exhaust Main Body
56	520-042	Tie Wrap
57	520-200	Whisker Exhaust Valve Insert
58	510-776	Exhaust Valve
59	520-118	Tri/Quad Valve Whisker Clamp
60	530-008	Brass Screw
61	530-009	Brass Nut
62	510-787	Port Whisker Wing
63	505-730	Quad Valve Exhaust Assembly
64	530-045	Screw
65	550-061	Spacer
66	540-015	Kidney Plate
67	505-069	Regulator Assembly 1" Mount Tube
68	530-546	Washer for Swing Catch
69	530-035	Screw
70	550-061	Spacer
71	540-086	Swing Catch
72	520-167	Teflon Washer for Swing Catch
73	535-825	Spring, Swing Catch
74	530-045	Screw
75	550-122	Spring Spacer
76	505-119	Neck Ring Assembly (neoprene) Med.
77	530-545	Washer
78	530-028	Lock Nut
79	560-111	Locking Collar
80	550-113	Adjustment Nut, Neck Pad
81	520-098	Neck Pad

Location #	Part #	Description
82	530-064	Screw
83	550-045	T-Washer
84	530-027	Hinge Bolt
85	520-165	Washer
86	320-026	Comm. Mount Nut
87	515-029	Microphone Assembly
88	515-019	Earphone, Left, 15.5"
89	515-018	Earphone, Right, 9"
90	515-024	Comm. Assembly w/MWP
91	515-023	Comm. Assembly w/Posts
92	510-575	Nose Block Pad
93	545-015	Nose Block Device
94	520-020	Valve Body
95	510-550	Valve, Oral Nasal
96	510-747	Oral Nasal Mask
97	550-081	Nut, Regulator Mount
98	510-490	O-ring
99	540-054	Earphone Retainer
100	530-527	Washer
101	530-018	Screw
102	530-702	Snap
103	530-519	Washer
104	530-031	Screw

### ⚠ CAUTION

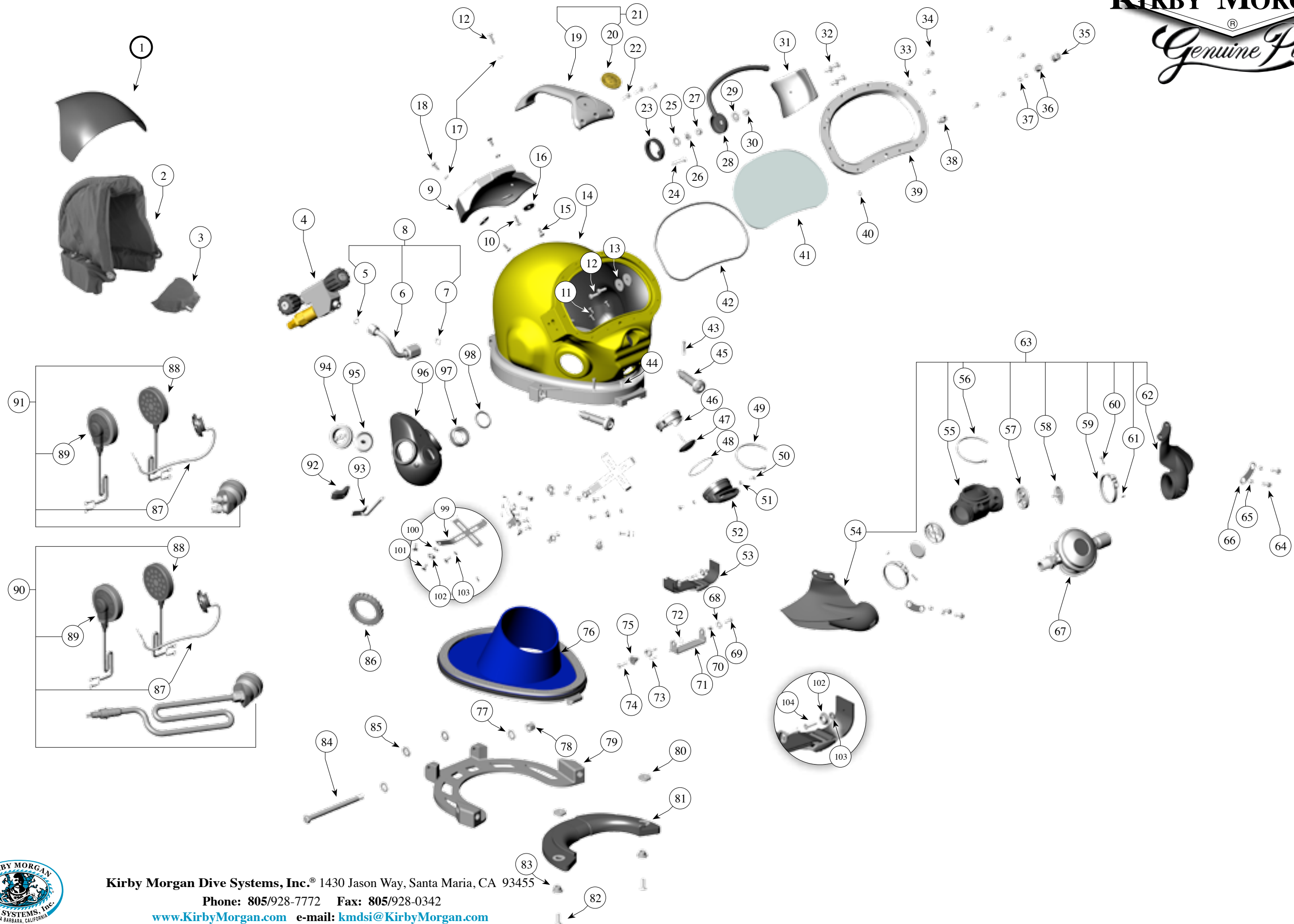
Use only Kirby Morgan original replacement parts. The use of other manufacturers' parts will interfere with the performance characteristics of your life support equipment and may jeopardize your safety. Additionally, any substitutions will void any warranties offered by KMDSI. When ordering spares, always insist on Kirby Morgan original parts.



Kirby Morgan Dive Systems, Inc.® 1430 Jason Way, Santa Maria, CA 93455

Phone: 805/928-7772 Fax: 805/928-0342

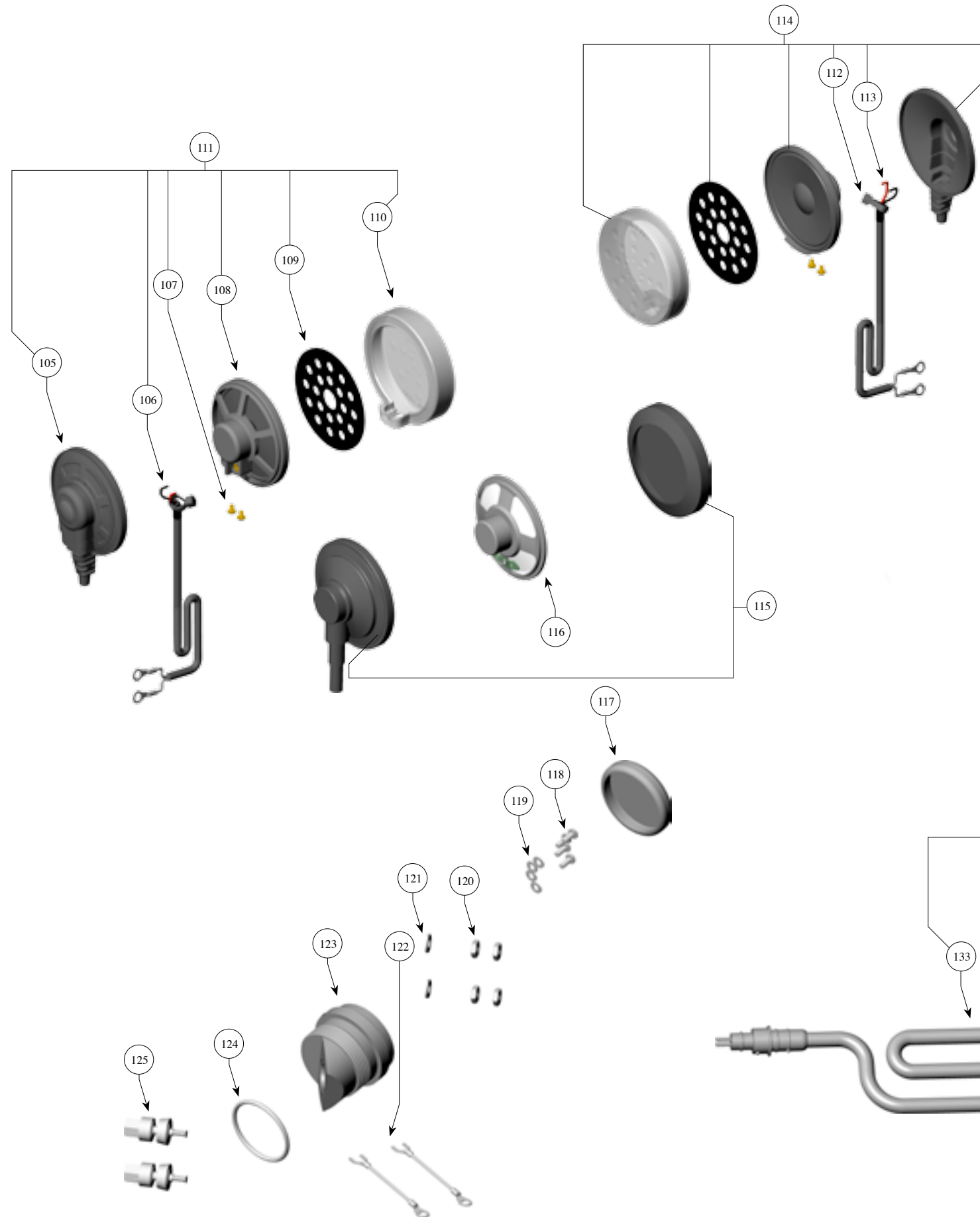
[www.KirbyMorgan.com](http://www.KirbyMorgan.com) e-mail: [kmdsi@KirbyMorgan.com](mailto:kmdsi@KirbyMorgan.com)



**Kirby Morgan Dive Systems, Inc.** 1430 Jason Way, Santa Maria, CA 93455

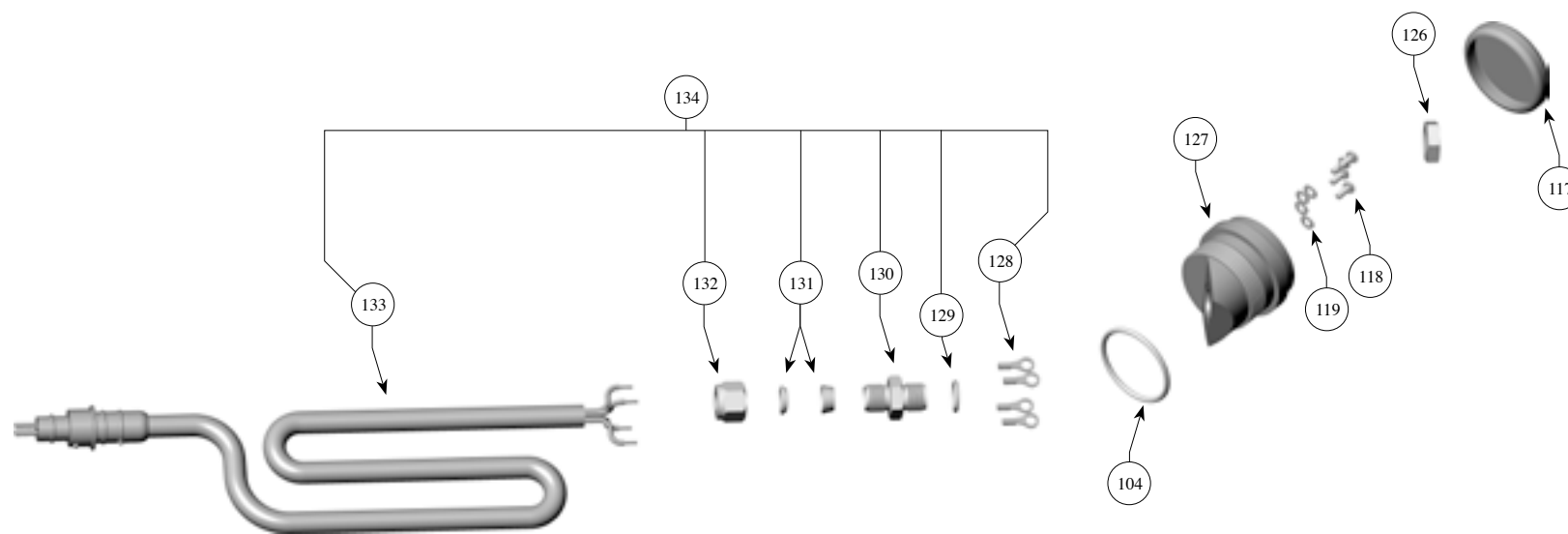
Phone: 805/928-7772 Fax: 805/928-0342

[www.KirbyMorgan.com](http://www.KirbyMorgan.com) e-mail: [kmdsi@KirbyMorgan.com](mailto:kmdsi@KirbyMorgan.com)



Location #	Part #	Description
105		Order Earphone Cover Set 510-842
106	515-102	Communication Wire 9"
107	530-098	Screw
108	515-090	Earphone, Speaker Only
109	520-015	Protector, Earphone
110		Order Earphone Cover Set 510-842
111	515-018	Earphone, Right 9"
112	520-038	Tie-Wrap
113	515-101	Communication Wire 15.5"
114	515-019	Earphone, Right 15.5"
115	510-542	Cover, Earphone, Pre-April 2011
116	515-008	Earphone, Speaker Only, Pre-April 2011
117	510-630	Cover, Comm. Module
118	330-030	Screw
119	330-035	Washer
120	530-308	Hex Nut
121	530-525	Washer
122	515-055	Wiring Harness, Posts
123	520-130	Comm. Module for Posts
124	510-029	O-ring
125	315-020	Comm. Posts
126	550-040	Nut

Location #	Part #	Description
127	520-132	Comm. Module for MWP
128	515-049	Single Wire Terminal
129	510-481	O-ring
130	555-175	Packing Gland
131	520-113	Ferrule Set
132	555-178	Packing Nut
133	515-045	W.P. Connector (Male) 4 Pin
134	505-047	W.P. Connector Assembly

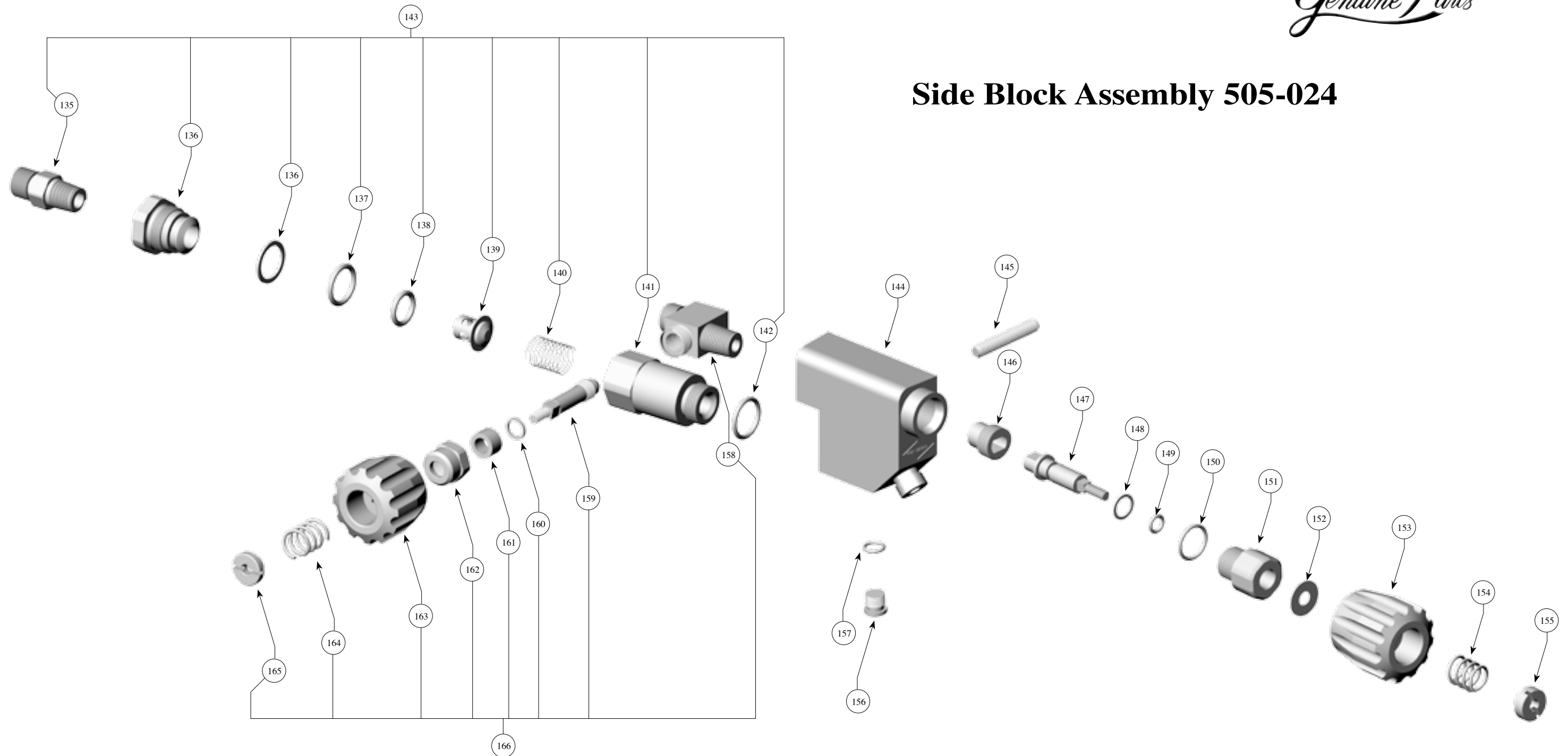


Kirby Morgan Dive Systems, Inc.<sup>®</sup> 1430 Jason Way, Santa Maria, CA 93455

Phone: 805/928-7772 Fax: 805/928-0342

[www.KirbyMorgan.com](http://www.KirbyMorgan.com) e-mail: [kmdsi@KirbyMorgan.com](mailto:kmdsi@KirbyMorgan.com)

**Side Block Assembly 505-024**

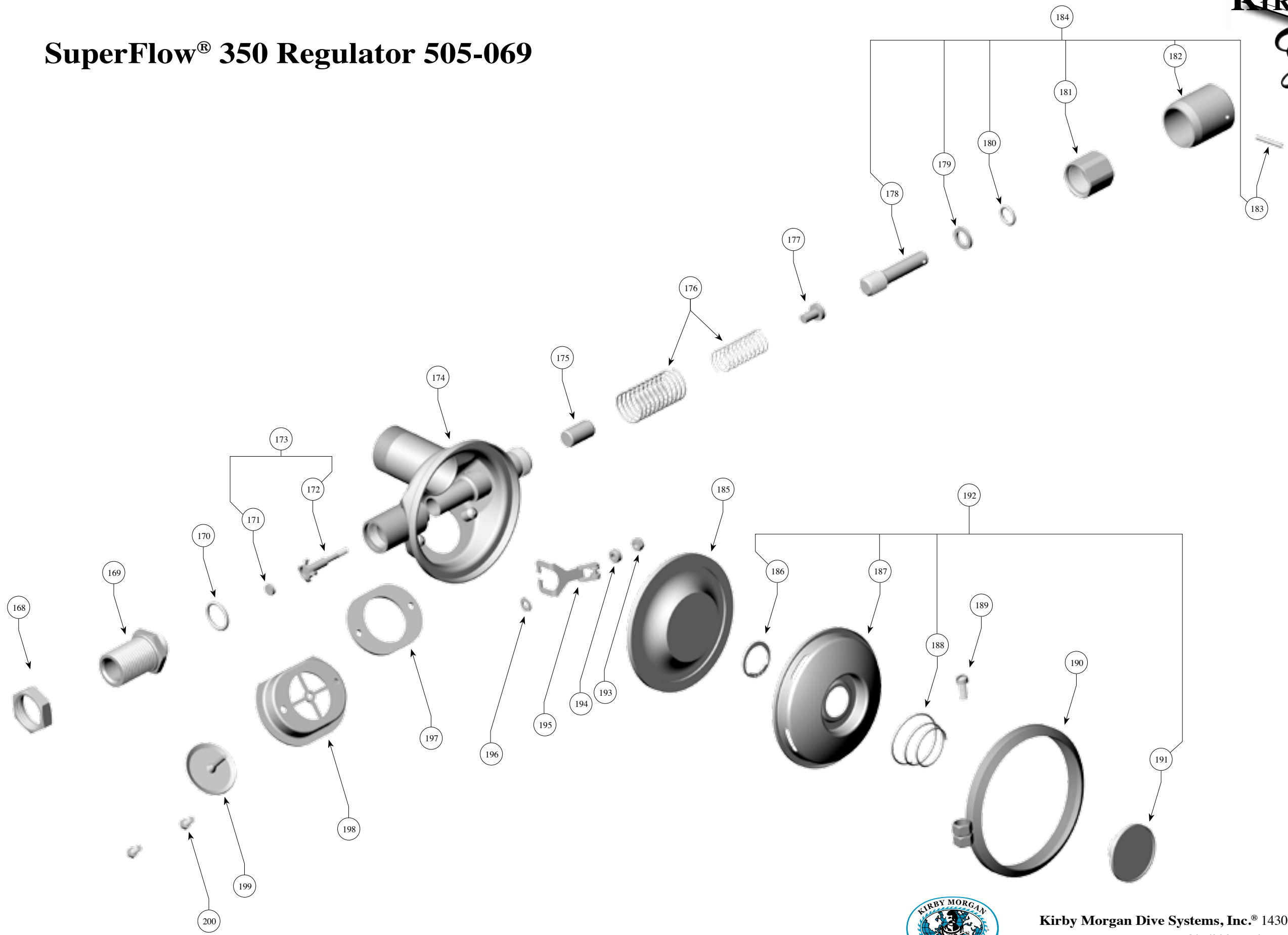


**Kirby Morgan Dive Systems, Inc.** 1430 Jason Way, Santa Maria, CA 93455

Phone: 805/928-7772 Fax: 805/928-0342

[www.KirbyMorgan.com](http://www.KirbyMorgan.com) e-mail: [kmdsi@KirbyMorgan.com](mailto:kmdsi@KirbyMorgan.com)

**SuperFlow<sup>®</sup> 350 Regulator 505-069**



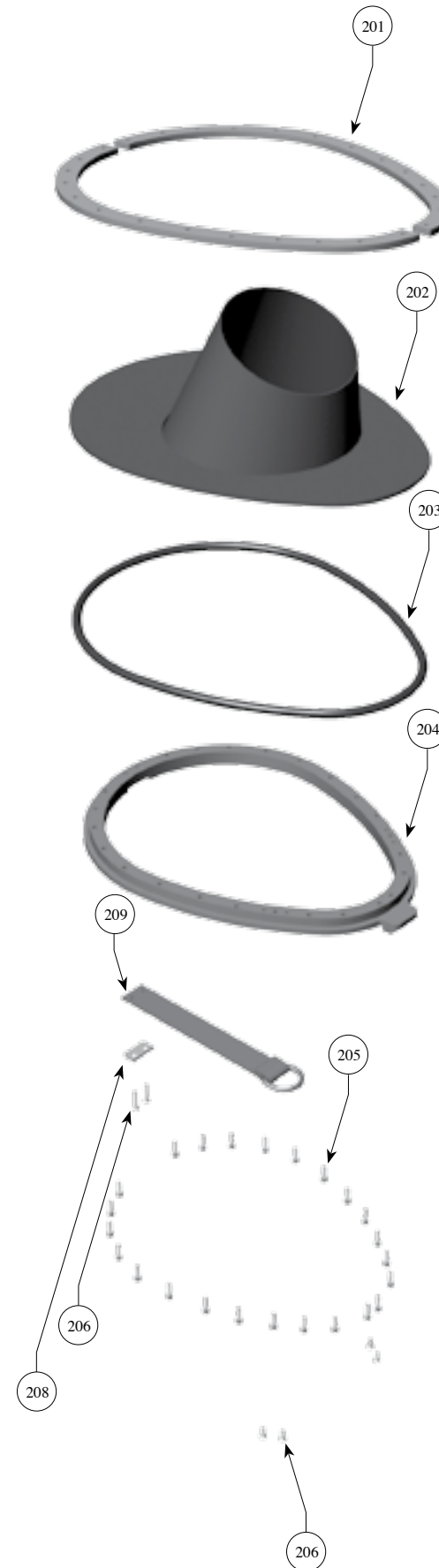
**Kirby Morgan Dive Systems, Inc.**<sup>®</sup> 1430 Jason Way, Santa Maria, CA 93455  
 Phone: 805/928-7772 Fax: 805/928-0342  
[www.KirbyMorgan.com](http://www.KirbyMorgan.com) e-mail: [kmdsi@KirbyMorgan.com](mailto:kmdsi@KirbyMorgan.com)

## Side Block Assembly 505-024

## SuperFlow<sup>®</sup> 350 Regulator Assembly 505-069

Location #	Part #	Description
135	Order 555-117	Adapter
136	Order 555-195	Seat
137	Order 525-330	Wiper
138	Order 525-330	O-ring
139	Order 525-330	O-ring
140	Order 555-195	Poppet
141	Order 525-330	Spring
142	Order 555-195	One-Way Valve
143	510-483	O-ring
144	505-060	One-Way Valve Assembly
145	550-029	Side Block, Body 'B'
146	550-024	Stud
147	550-023	Seat Assembly
148	550-022	Valve Stem
149	520-031	Washer
150	510-010	O-ring
151	510-015	O-ring
152	550-020	Bonnet
153	520-030	Washer
154	520-524	Flex Knob, Steady Flow
155	535-802	Spring
156	550-019	Lock Nut
157	550-095	Plug
158	310-003	O-ring
159	550-140	Emergency Valve Body
160	550-138	Valve Stem, Emergency
161	540-095	Packing Washer
162	520-024	Packing
163	550-091	Packing Nut
164	520-525	Flex Knob, Emergency Valve
165	535-802	Spring
166	550-019	Locknut
167	505-070	Emergency Valve Assembly

Location #	Part #	Description
168	550-050	Jam Nut
169	550-048	Inlet Nipple
170	510-014	O-ring
171	510-580	Inlet Valve Seat
172	550-076	Inlet Valve
173	545-026	Inlet Valve
174	545-080	Regulator Body
175	550-060	Piston
176	535-807	Spring Set
177	550-059	Spacer
178	550-057	Shaft
179	520-032	Washer
180	510-011	O-ring
181	550-055	Packing Nut
182	550-053	Knob, Adjustment
183	530-601	Retaining Pin
184	505-028	Regulator Adjustment Knob Assembly
185	510-553	Diaphragm
186	535-905	Retaining Clip
187	540-055	Cover Only, Regulator, Metal
188	535-810	Spring, Purge Button
189	530-030	Screw
190	545-020	Clamp
191	520-017	Purge Button
192	545-018	Cover Assembly
193	530-303	Nut, Lock
194	550-052	Spacer
195	545-038	Roller Lever Arm Assembly
196	530-506	Washer
197	510-401	Gasket
198	540-122	Exhaust Flange, Chrome Order P/N 525-027 Flange Kit
199	510-552	Exhaust Valve
200	530-020	Screw



### Neck Ring Assembly P/N 505-119

Location #	Part #	Description
201	540-105	Split Ring, (2 Required)
202	510-628	Neoprene Neck Dam, Medium
203	510-450	O-ring, Neck Ring
204	560-078	Stepped Neck Dam Ring
205	530-024	Screw
206	530-022	Screw
207	530-220	Screw
208	540-115	Strap Plate
209	505-142	Pull Strap Assembly



Kirby Morgan Dive Systems, Inc.<sup>®</sup> 1430 Jason Way, Santa Maria, CA 93455

Phone: 805/928-7772 Fax: 805/928-0342

[www.KirbyMorgan.com](http://www.KirbyMorgan.com) e-mail: [kmdsi@KirbyMorgan.com](mailto:kmdsi@KirbyMorgan.com)