



# Kirby Morgan 37SS Helmet

P/N 500-100 / 500-101

Location #	Part #	Description
1	510-575	Nose Block Pad
2	545-015	Nose Block Device
3	520-020	Valve Body
4	510-550	Valve, Oral Nasal
5	510-747	Oral Nasal Mask
6	530-058	Screw
7	330-405	Washer, Lock
8	540-579	Handle, Helmet, KM 37SS
9	530-059	Screw
10	510-795	Grip, Handle
11	430-075	Washer
12	530-052	Screw
13	505-765	Handle Assembly, KM 37SS
14	560-517	Helmet Shell, Stainless Steel
15	505-753	Airtrain Assembly, Stainless Helmet
16	550-571	Sleeve
17	530-083	Screw
18	550-574	Spacer
19	530-535	Washer
20	530-415	Washer
21	530-317	Nut
22	530-059	Screw
23	550-566	Adapter
24	530-052	Screw
25	550-062	Knob, Nose Block
26	555-180	Packing Nut, Nose Block
27	510-008	O-ring
28	540-563	Port Retainer
29	505-738	Port Retainer Assembly
30	510-010	O-ring
31	520-004	Face Port
32	510-260	O-ring, View Port
33	550-081	Regulator Mount Nut
34	510-490	O-ring
35	530-145	Nut
36	530-527	Washer
37	510-403	Gasket, Pod
38	540-012	Retainer Ring
39	520-022	Exhaust Valve Insert
40	510-776	Exhaust Valve
41	510-019	O-ring
42	560-556	Regulator Mount Pod, 350

Location #	Part #	Description
43	520-042	Tie Wrap
44	430-134	Washer
45	530-089	Screw
46	530-086	Screw
47	520-042	Tie Wrap
48	520-200	Valve Seat
49	510-776	Exhaust Valve
50	530-008	Brass Screw
51	520-118	Tri/Quad Valve Whisker Clamp
52	510-787	Port Whisker Wing
53	540-015	Kidney Plate
54	550-586	Spacer, Whisker
55	530-070	Screw
56	560-300	Zinc Whisker Anode
57	530-009	Brass Nut
58	505-069	Regulator Assembly, 1" Mount Tube
59	510-760	Main Body Quad Valve Exhaust
60	510-786	Starboard Whisker Wing
61	505-730	Quad Valve Exhaust Assembly
62	505-758	350 Regulator Pod Assembly
63	530-145	Lock Nut
64	530-086	Screw
65	530-032	Screw
66	530-035	Screw
67	530-546	Washer for Swing Catch
68	550-061	Spacer
69	540-086	Swing Catch
70	520-167	Teflon® Washer for Swing Catch
71	535-825	Spring, Swing Catch
72	550-122	Spring Spacer
73	530-045	Screw
74	505-748	Chin Strap Assembly, w/ Snaps, S.S.
75	530-028	Lock Nut
76	505-755	Locking Collar Assembly, S.S.
77	530-027	Hinge Bolt
78	520-165	Washer
79	530-545	Washer
80	505-746	Neck Ring Assembly, Medium, S.S.
81	530-037	Screw
82	505-742	Earphone Retainer Assembly, S.S.
83	505-740	Snap Assembly, S.S.
84	505-110	Sealed Pull Pin Assembly

Location #	Part #	Description
85	530-015	Screw
86	320-026	Comm. Mount Nut
87	515-018	Earphone, Right, 9"
88	515-019	Earphone, Left, 15.5"
89	515-029	Microphone Assembly
90	515-024	Comm. Assembly w/MWP
91	515-023	Comm. Assembly w/Posts
92	505-732	Side block Assembly
93	520-033	O-ring, Teflon®
94	555-154	Bent Tube Assembly, No O-rings
95	560-304	Zinc Sleeve Anode
96	520-038	Tie Wrap
97	510-012	O-ring
98	510-683	Chin Cushion Assembly
	510-639	Chin Cushion Bag
99	510-837	Head Cushion Foam Spacer Assembly
	510-836	Head Cushion Foam Spacer Bag
100	510-754	Head Cushion Assembly
	510-722	Head Cushion Bag

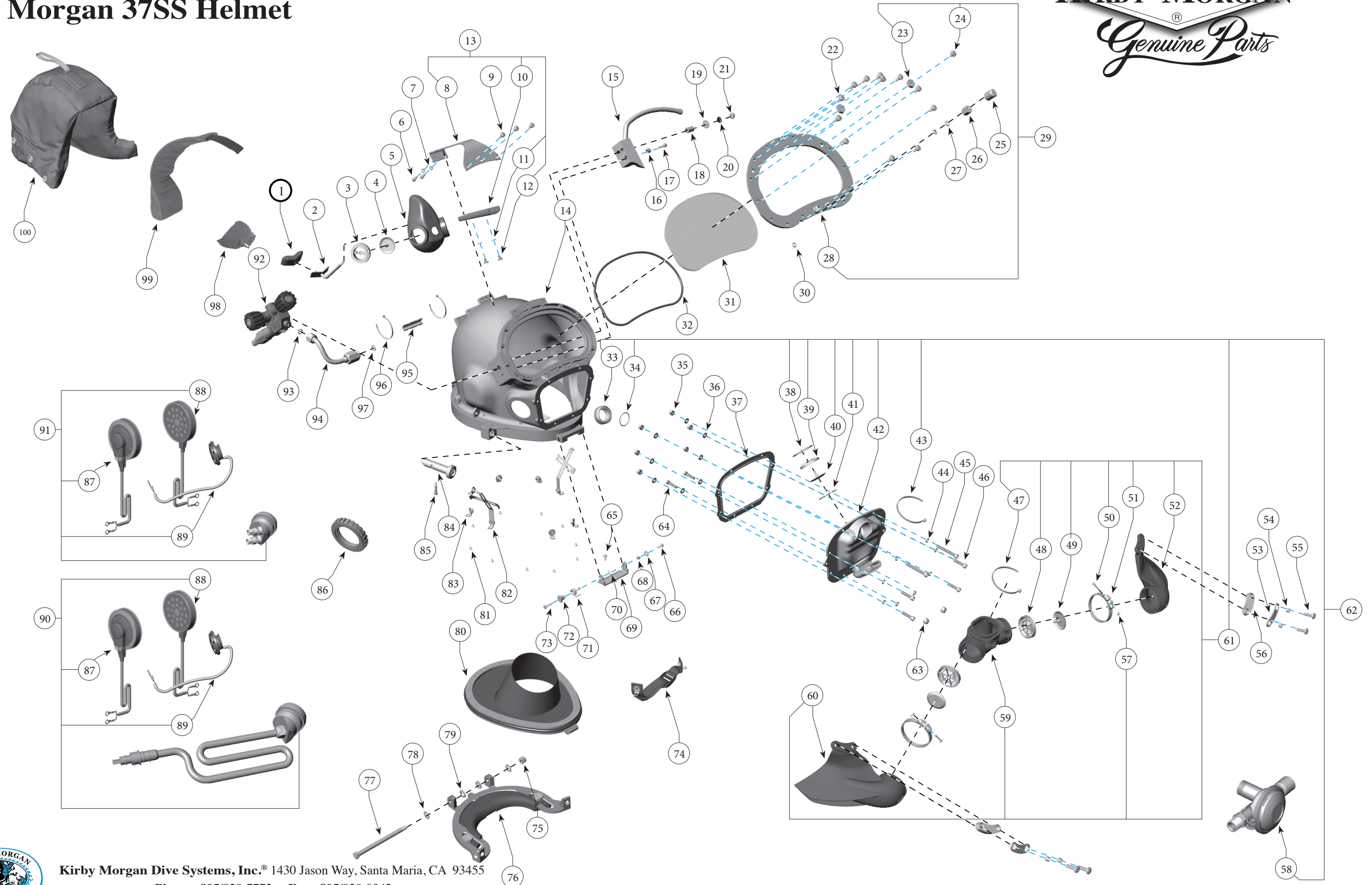
**⚠ CAUTION**

**Use only Kirby Morgan original replacement parts. The use of other manufacturers' parts will interfere with the performance characteristics of your life support equipment and may jeopardize your safety. Additionally, any substitutions will void any warranties offered by KMDSI. When ordering spares, always insist on Kirby Morgan original parts.**



Kirby Morgan Dive Systems, Inc.® 1430 Jason Way, Santa Maria, CA 93455  
 Phone: 805/928-7772 Fax: 805/928-0342  
[www.KirbyMorgan.com](http://www.KirbyMorgan.com) e-mail: [kmdsi@KirbyMorgan.com](mailto:kmdsi@KirbyMorgan.com)

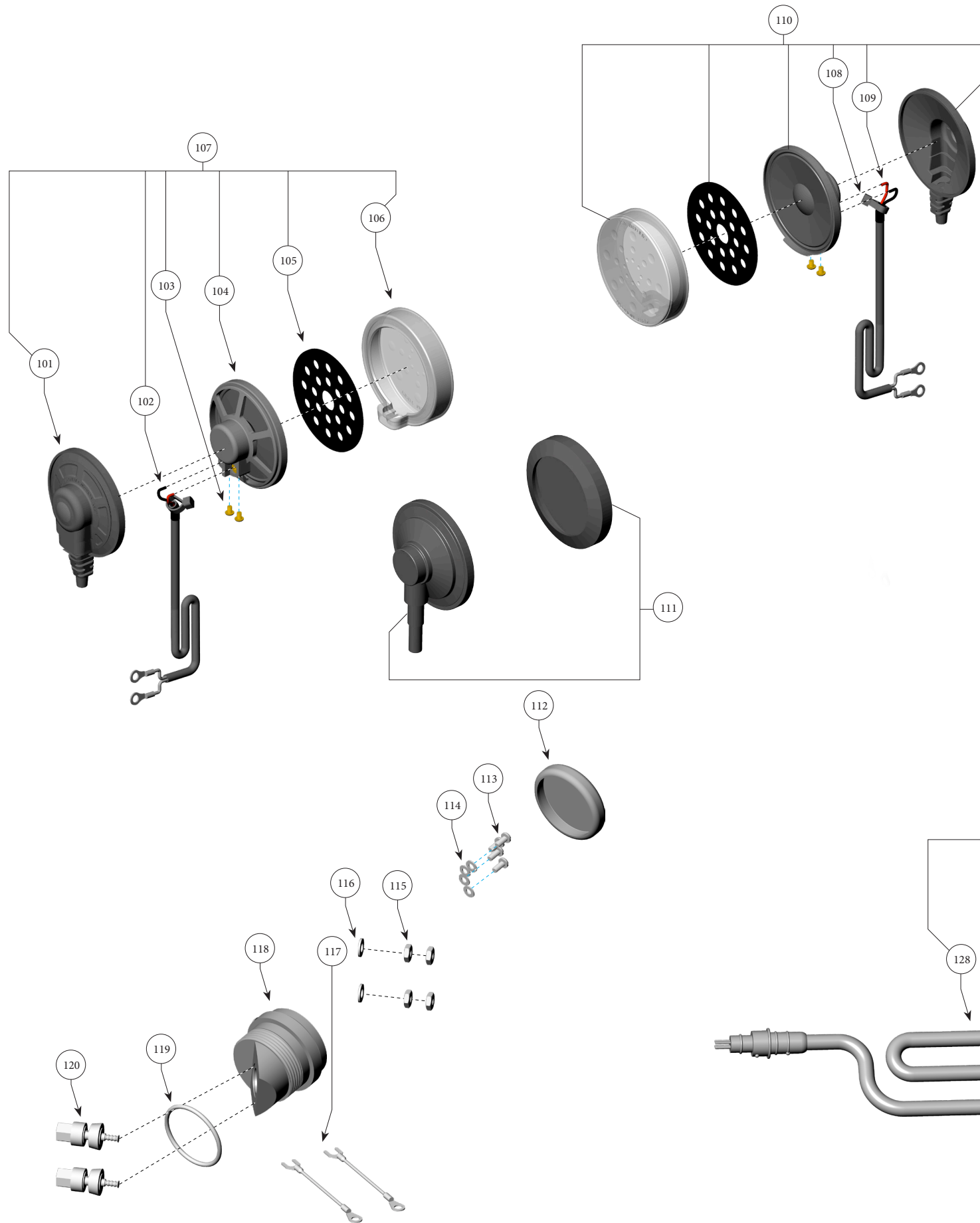
# Kirby Morgan 37SS Helmet



Kirby Morgan Dive Systems, Inc.® 1430 Jason Way, Santa Maria, CA 93455

Phone: 805/928-7772 Fax: 805/928-0342

[www.KirbyMorgan.com](http://www.KirbyMorgan.com) e-mail: [kmdsi@KirbyMorgan.com](mailto:kmdsi@KirbyMorgan.com)



Location #	Part #	Description
101		For Earphone Cover Set Order 510-842
102	515-102	Communication Wire 9"
103	530-098	Screw
104	515-090	Earphone, Speaker Only
105	520-015	Protector, Earphone
106		For Earphone Cover Set Order 510-842
107	515-018	Earphone, Right 9"
108	520-038	Tie-Wrap
109	515-101	Communication Wire 15.5"
110	515-019	Earphone, Right 15.5"
111	510-542	Covers, Earphone, Pre-April 2011
112	510-630	Cover, Comm. Module
113	330-030	Screw
114	330-035	Washer
115	530-308	Hex Nut
116	530-525	Washer
117	515-055	Wiring Harness, Posts
118	520-130	Comm. Module for Posts
119	510-029	O-ring
120	315-020	Comm. Posts
121	550-040	Nut
122	520-132	Comm. Module for MWP
123	515-049	Single Wire Terminal

Location #	Part #	Description
124	510-481	O-ring
125	555-175	Packing Gland
126	520-113	Ferrule Set
127	555-178	Packing Nut
128	515-045	W.P. Connector (Male) 4 Pin
129	505-047	W.P. Connector Assembly

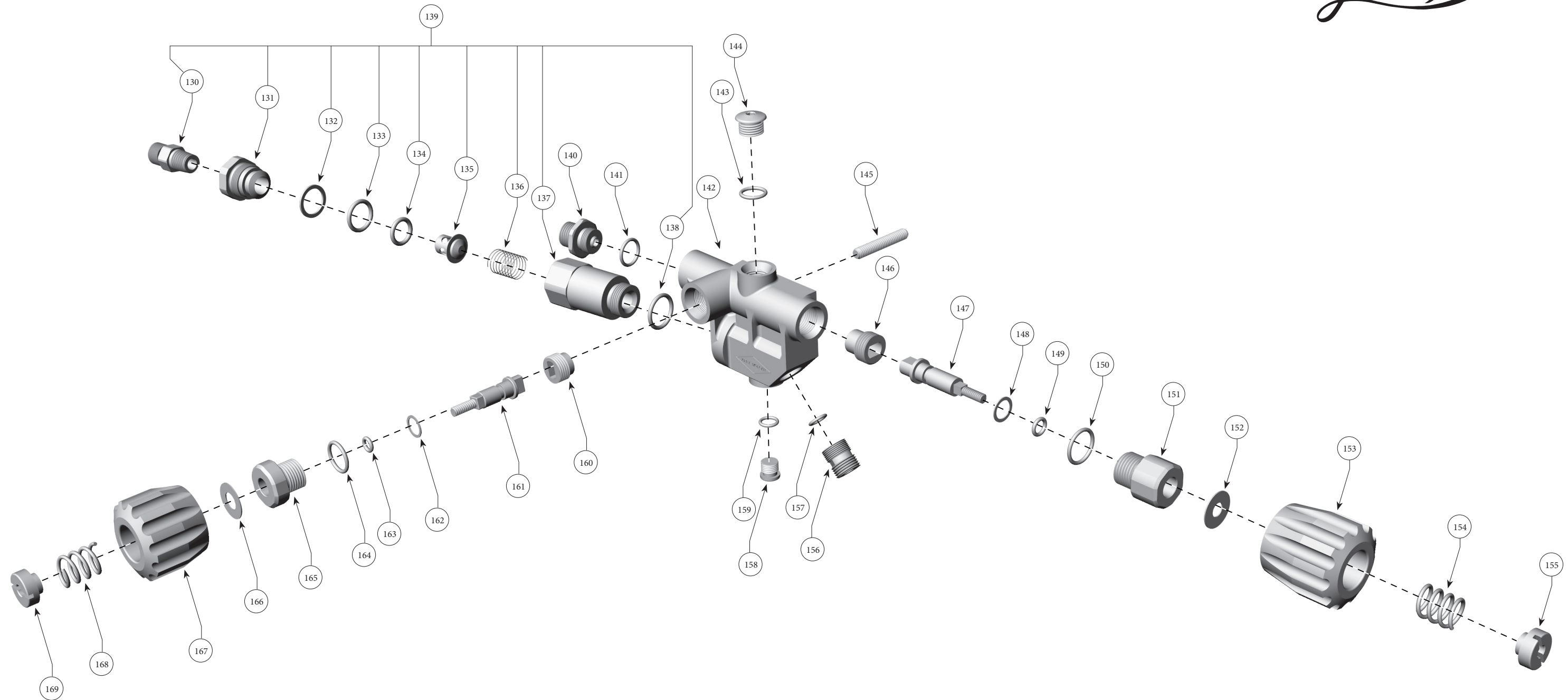


Kirby Morgan Dive Systems, Inc.<sup>®</sup> 1430 Jason Way, Santa Maria, CA 93455

Phone: 805/928-7772 Fax: 805/928-0342

[www.KirbyMorgan.com](http://www.KirbyMorgan.com) e-mail: [kmdsi@KirbyMorgan.com](mailto:kmdsi@KirbyMorgan.com)

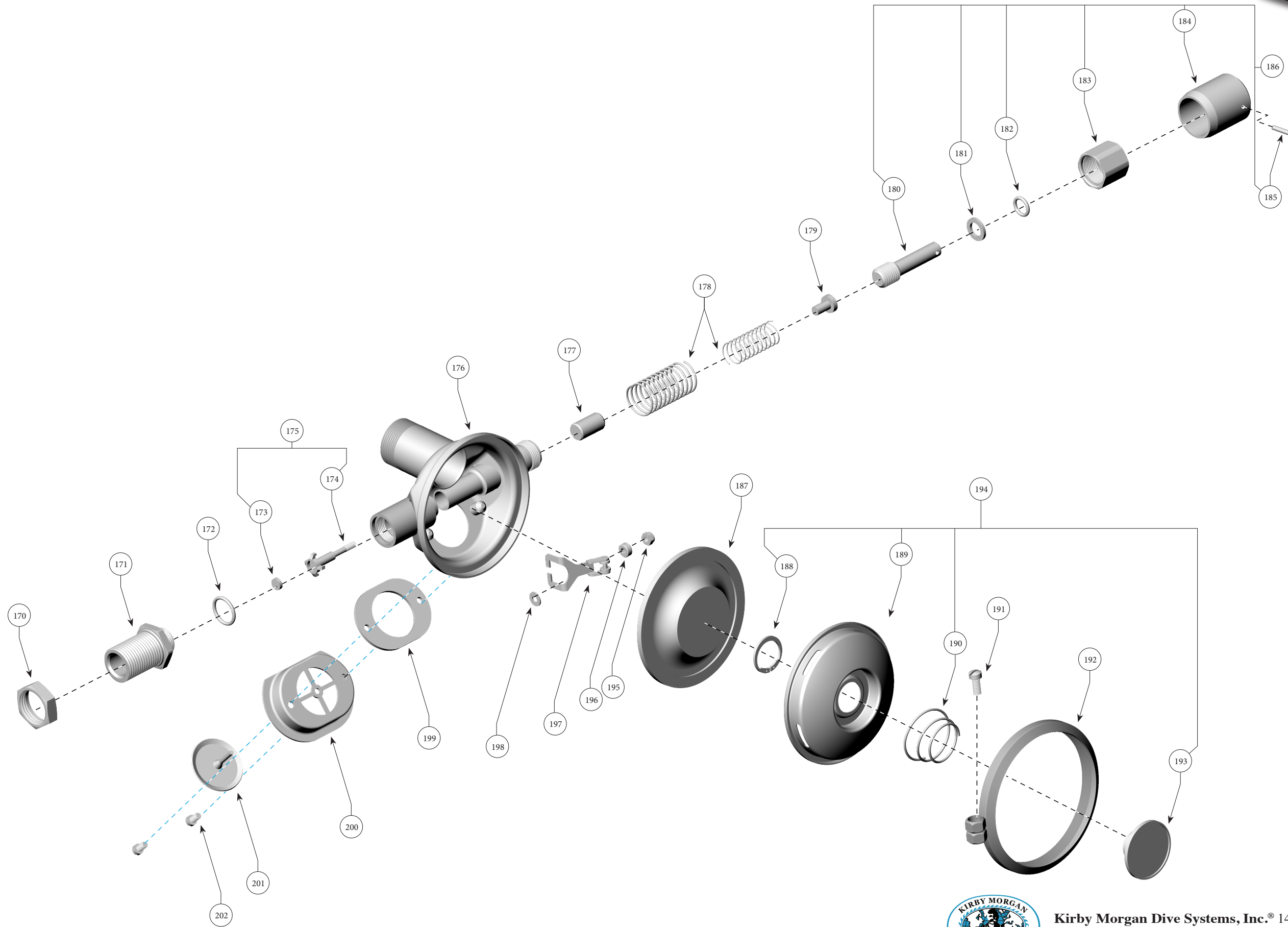
# Sideblock Assembly P/N 505-732



Kirby Morgan Dive Systems, Inc.® 1430 Jason Way, Santa Maria, CA 93455

Phone: 805/928-7772 Fax: 805/928-0342

[www.KirbyMorgan.com](http://www.KirbyMorgan.com) e-mail: [kmdsi@KirbyMorgan.com](mailto:kmdsi@KirbyMorgan.com)



**Kirby Morgan Dive Systems, Inc.**<sup>®</sup> 1430 Jason Way, Santa Maria, CA 93455  
 Phone: 805/928-7772 Fax: 805/928-0342  
[www.KirbyMorgan.com](http://www.KirbyMorgan.com) e-mail: [kmdsi@KirbyMorgan.com](mailto:kmdsi@KirbyMorgan.com)

### Sideblock Assembly for KM 37SS P/N 505-732

### SuperFlow<sup>®</sup> 350 Regulator Assembly for KM 37SS P/N 505-069

Location #	Part #	Description
130	Order 555-117	Adapter
131	Order 555-195	Seat
132	Order 525-330	Wiper
133	Order 525-330	O-ring
134	Order 525-330	O-ring
135	Order 555-195	Poppet
136	Order 525-330	Spring
137	Order 555-195	One-Way Valve
138	510-483	O-ring
139	505-060	One-Way Valve Assembly
140	550-046	Inlet Nipple "A"
141	510-014	O-ring
142	560-540	Sideblock Body
143	510-013	O-ring
144	350-062	Plug, Large
145	550-178	Stud
146	550-023	Seat Assembly
147	550-022	Valve Stem
148	520-031	Washer
149	510-010	O-ring
150	510-015	O-ring
151	550-568	Bonnet
152	520-030	Washer
153	520-524	Flex Knob, Steady Flow
154	535-802	Spring
155	550-019	Lock Nut
156	550-564	Bent Tube, Sideblock, Adapter*
157	520-033	O-ring*
158	550-094	Plug
159	310-003	O-ring
160	550-553	Seat Assembly
161	550-548	Valve Stem
162	520-523	Washer
163	510-008	O-ring
164	510-014	O-ring
165	550-551	Bonnet
166	520-522	Washer
167	520-525	Flex Knob, Emergency
168	535-802	Spring
169	550-019	Lock Nut

\*Dealer Service only

Location #	Part #	Description
170	550-050	Jam Nut
171	550-048	Inlet Nipple
172	510-014	O-ring
173	510-580	Inlet Valve Seat
174	550-076	Inlet Valve
175	545-026	Inlet Valve
176	545-080	Regulator Body
177	550-060	Piston
178	535-807	Spring Set
179	550-059	Spacer
180	550-057	Shaft
181	520-032	Washer
182	510-011	O-ring
183	550-055	Packing Nut
184	550-053	Knob, Adjustment
185	530-601	Retaining Pin
186	505-028	Regulator Adjustment Knob Assembly
187	510-553	Diaphragm
188	535-905	Retaining Clip
189	540-055	Cover Only, Regulator, Metal
190	535-810	Spring, Purge Button
191	530-030	Screw
192	545-020	Clamp
193	520-017	Purge Button
194	545-018	Cover Assembly
195	530-303	Nut, Lock
196	550-052	Spacer
197	545-038	Roller Lever Arm Assembly
198	530-506	Washer
199	510-401	Gasket

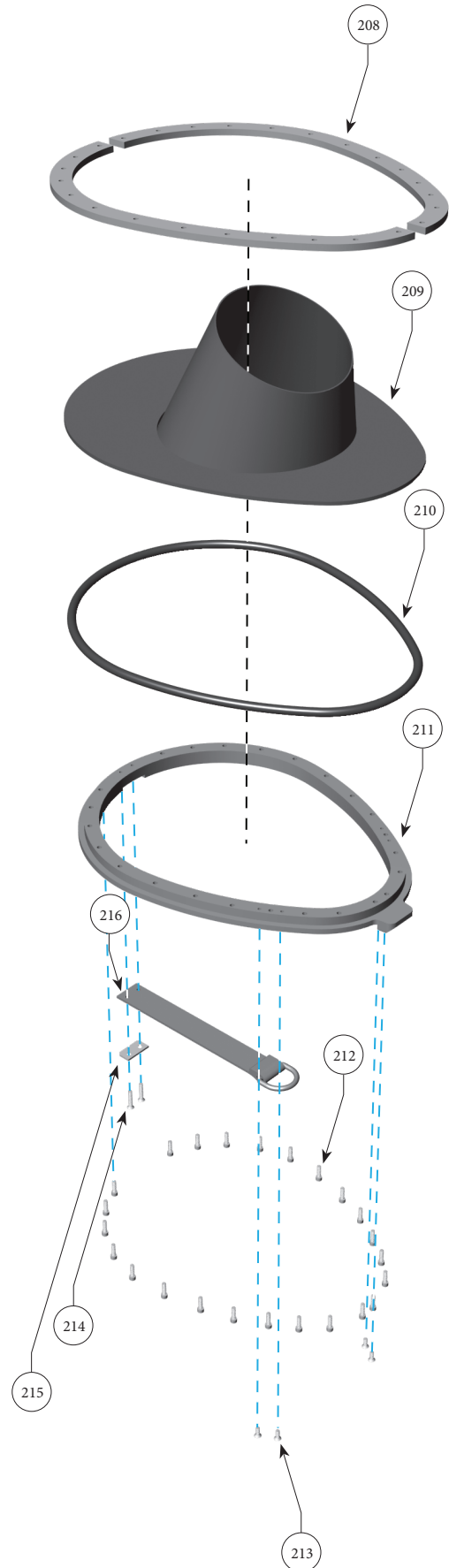
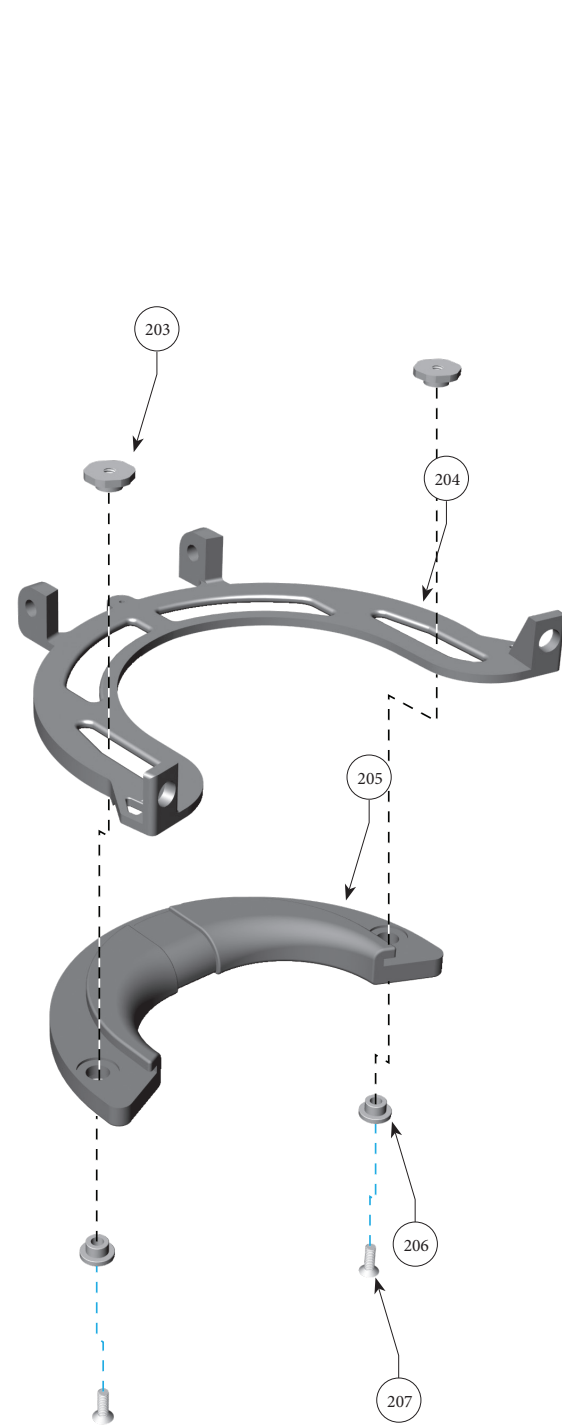
Location #	Part #	Description
200	540-122	Exhaust Flange, Chrome Order P/N 525-027 Flange Kit
201	510-552	Exhaust Valve
202	530-020	Screw



Kirby Morgan Dive Systems, Inc.<sup>®</sup> 1430 Jason Way, Santa Maria, CA 93455

Phone: 805/928-7772 Fax: 805/928-0342

[www.KirbyMorgan.com](http://www.KirbyMorgan.com) e-mail: [kmdsi@KirbyMorgan.com](mailto:kmdsi@KirbyMorgan.com)



**Locking Collar Assembly for KM 37SS P/N 505-755**

Location #	Part #	Description
203	550-113	Adjustment Nut, Neck Pad
204	560-541	Locking Collar, Stainless Steel
205	520-098	Neck Pad
206	550-045	T-Washer
207	530-064	Screw

**Neck Ring Assembly for KM 37SS P/N 505-746**

Location #	Part #	Description
208	540-546	Split Ring, Stainless Steel
209	510-628	Neoprene Neck Dam, Medium
210	510-450	O-ring, Neck Ring
211	560-542	Stepped Ring, Stainless Steel
212	530-024	Screw
213	530-022	Screw
214	530-220	Screw
215	540-115	Strap Plate
216	505-142	Pull Strap Assembly



Kirby Morgan Dive Systems, Inc.<sup>®</sup> 1430 Jason Way, Santa Maria, CA 93455

Phone: 805/928-7772 Fax: 805/928-0342

[www.KirbyMorgan.com](http://www.KirbyMorgan.com) e-mail: [kmdsi@KirbyMorgan.com](mailto:kmdsi@KirbyMorgan.com)