



# Kirby Morgan 77 Helmet P/N 500-090 / 500-091

Location #	Part #	Description
1	510-575	Nose Block Pad
2	545-015	Nose Block Device
3	520-020	Valve Body
4	510-550	Valve, Oral Nasal
5	510-743	Oral Nasal Mask
6	530-058	Screw
7	330-405	Washer
8	540-569	Handle, Helmet
9	530-059	Screw
10	510-795	Grip, Handle
11	430-075	Washer
12	530-052	Screw
13	505-759	Handle Assembly
14	560-517	Helmet Shell, Stainless Steel
15	505-753	Airtrain Assembly, Stainless Helmet
16	550-571	Sleeve
17	530-083	Screw
18	550-574	Sleeve
19	530-535	Washer
20	530-415	Washer
21	530-317	Nut
22	530-059	Screw
23	550-566	Adapter
24	530-052	Screw
25	550-062	Knob, Nose Block
26	555-180	Packing Nut, Nose Block
27	510-008	O-ring
28	540-563	Port Retainer
29	505-738	Port Retainer Assembly
30	510-010	O-ring
31	520-004	Face Port
32	510-260	O-ring, View Port
33	550-372	Regulator Mount Nut
34	510-741	Valve, Water Dump
35	320-040	Regulator Mount Washer
36	530-145	Lock Nut
37	530-527	Washer
38	510-403	Gasket, Pod
39	560-516	Regulator Mount Pod
40	430-134	Washer
41	530-089	Screw
42	530-086	Screw

Location #	Part #	Description
43	505-278	REX Regulator Assembly
44	560-300	Zinc Whisker Anode
45	540-015	Kidney Plate (pre 2013)
46	550-586	Spacer, Whisker
47	530-070	Screw
48	530-145	Lock Nut
49	530-086	Screw
50	530-032	Screw
51	530-035	Screw
52	530-546	Washer for Swing Catch
53	550-061	Spacer
54	540-086	Swing Catch
55	520-167	Teflon® Washer for Swing Catch
56	535-825	Spring, Swing Catch
57	550-122	Spring Spacer
58	530-045	Screw
59	505-748	Chin Strap Assembly with Snaps
60	530-028	Lock Nut
61	505-755	Locking Collar Assembly, S.S.
62	530-027	Hinge Bolt
63	520-165	Washer
64	530-545	Washer
65	505-746	Neck Ring Assembly, Medium, S.S.
66	530-037	Screw
67	505-742	Earphone Retainer Assembly
68	505-740	Snap Tab Assembly, S.S.
69	505-110	Sealed Pull Pin Assembly
70	530-015	Screw
71	320-026	Comm. Mount Nut
72	515-018	Earphone, Right, 9"
73	515-019	Earphone, Left, 15.5"
74	515-029	Microphone Assembly
75	515-024	Comm. Assembly w/MWP
76	515-023	Comm. Assembly w/Posts
77	505-732	Side block Assembly
78	520-033	O-ring, Teflon®
79	555-172	KM 77 Bent Tube Assembly
80	510-012	O-ring
81	555-173	KM 77 Bent Tube Assembly w/O-rings
82	520-038	Tie Wrap
83	560-304	Zinc Sleeve Anode

Location #	Part #	Description
84	510-683	Chin Cushion Assembly
	510-639	Chin Cushion Bag
85	510-837	Head Cushion Foam Spacer Assembly
	510-836	Head Cushion Foam Spacer Bag
86	510-754	Head Cushion Assembly
	510-722	Head Cushion Bag

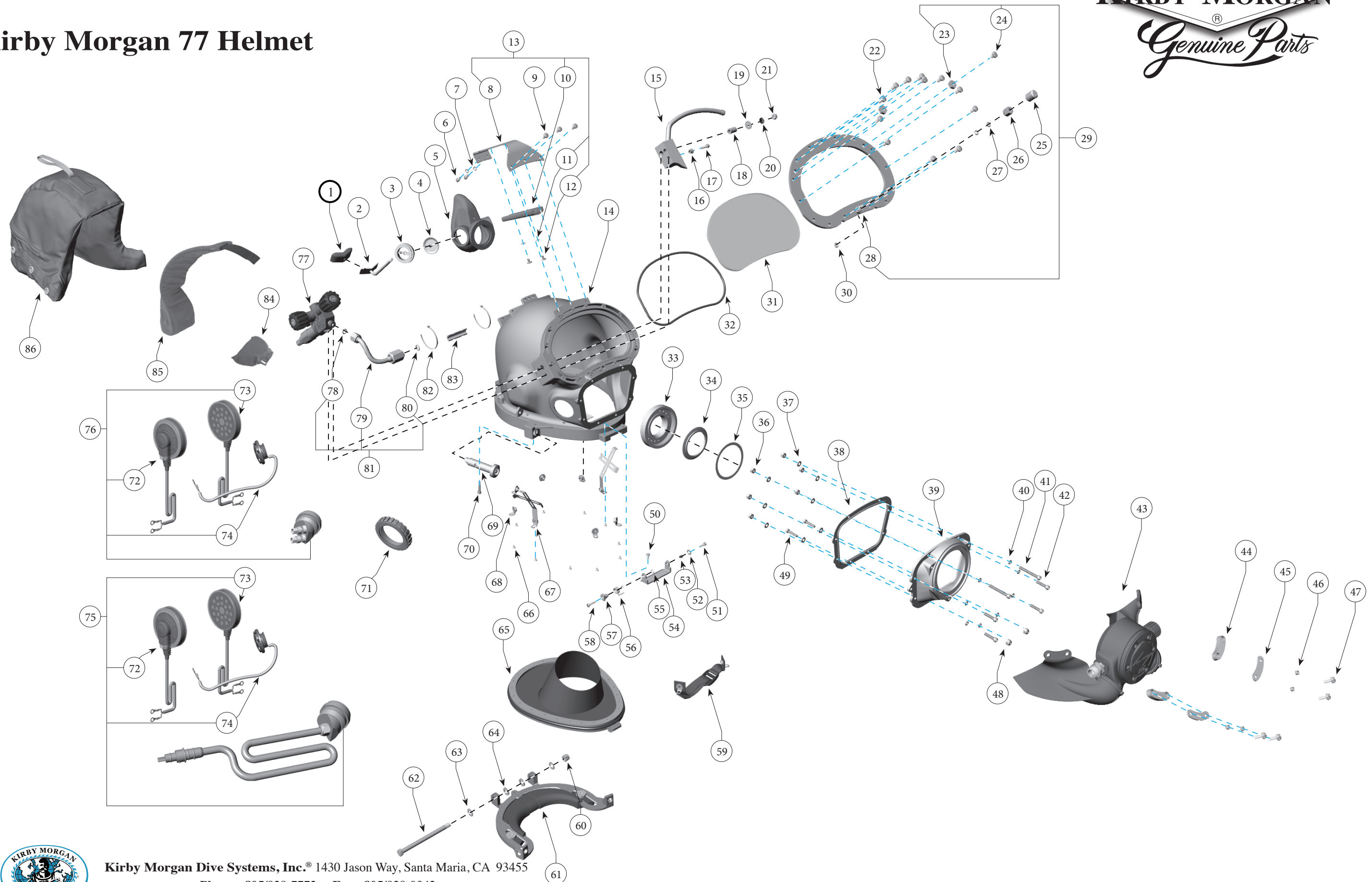
**⚠ CAUTION**

**Use only Kirby Morgan original replacement parts. The use of other manufacturers' parts will interfere with the performance characteristics of your life support equipment and may jeopardize your safety. Additionally, any substitutions will void any warranties offered by KMDSI. When ordering spares, always insist on Kirby Morgan original parts.**



**Kirby Morgan Dive Systems, Inc.**® 1430 Jason Way, Santa Maria, CA 93455  
 Phone: 805/928-7772 Fax: 805/928-0342  
[www.KirbyMorgan.com](http://www.KirbyMorgan.com) e-mail: [kmdsi@KirbyMorgan.com](mailto:kmdsi@KirbyMorgan.com)

# Kirby Morgan 77 Helmet

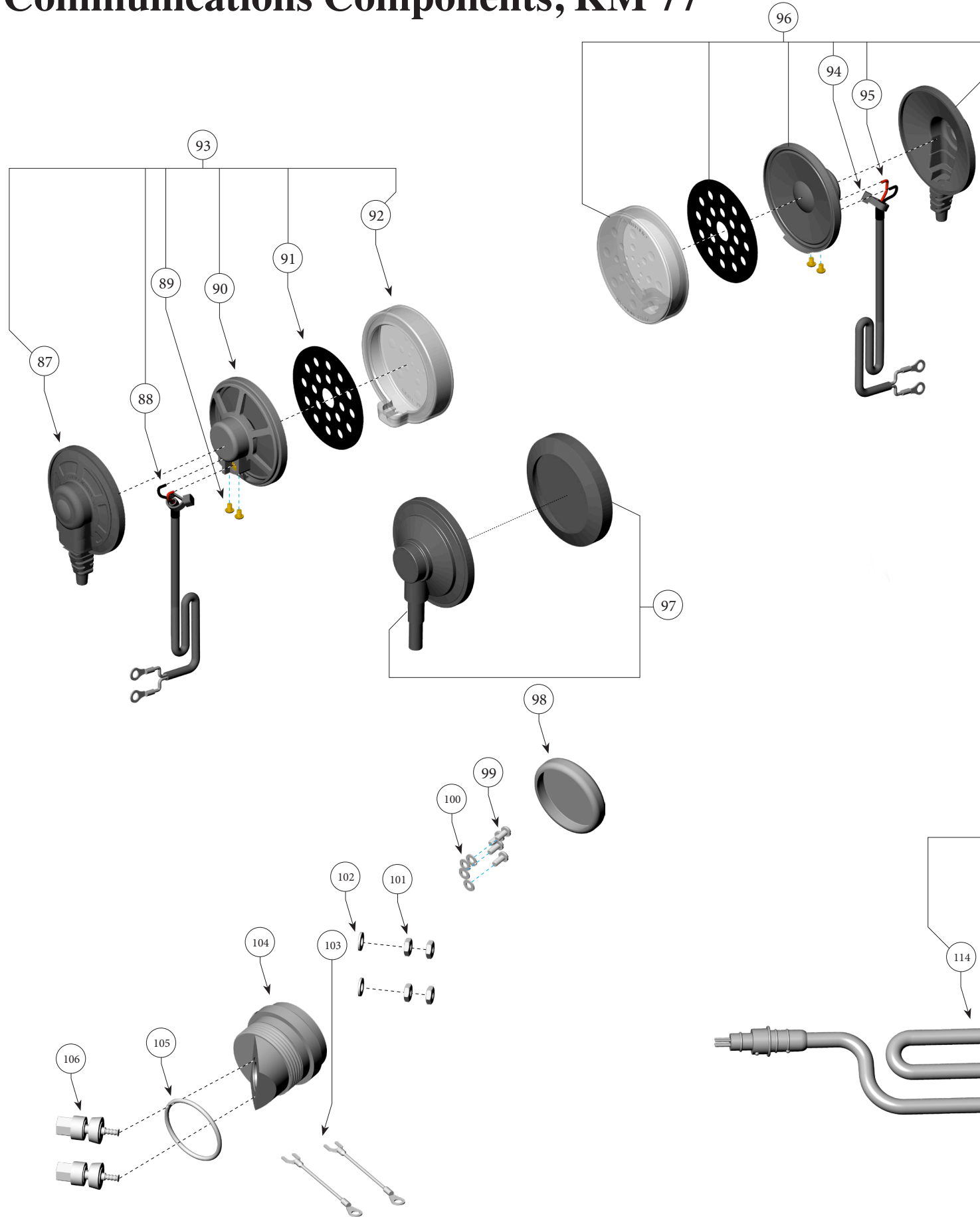


Kirby Morgan Dive Systems, Inc.<sup>®</sup> 1430 Jason Way, Santa Maria, CA 93455

Phone: 805/928-7772 Fax: 805/928-0342

[www.KirbyMorgan.com](http://www.KirbyMorgan.com) e-mail: [kmdsi@KirbyMorgan.com](mailto:kmdsi@KirbyMorgan.com)

# Communications Components, KM 77



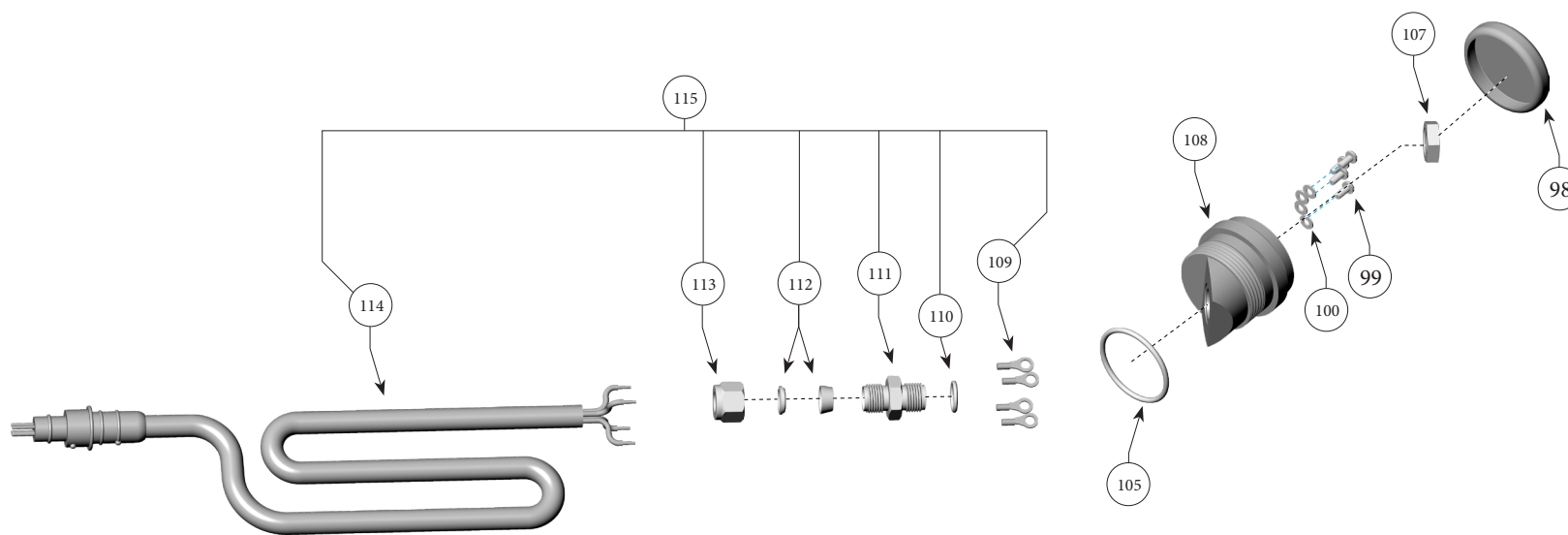
Location #	Part #	Description
87		For Earphone Cover Set Order 510-842
88	515-102	Communication Wire 9"
89	530-098	Screw
90	515-090	Earphone, Speaker Only
91	520-015	Protector, Earphone
92		For Earphone Cover Set Order 510-842
93	515-018	Earphone, Right 9"
94	520-038	Tie-Wrap
95	515-101	Communication Wire 15.5"
96	515-019	Earphone, Right 15.5"
97	510-542	Covers, Earphone, Pre-April 2011
98	510-630	Cover, Comm. Module
99	330-030	Screw
100	330-035	Washer
101	530-308	Hex Nut
102	530-525	Washer
103	515-055	Wiring Harness, Posts
104	520-130	Comm. Module for Posts
105	510-029	O-ring
106	315-020	Comm. Posts
107	550-040	Nut
108	520-132	Comm. Module for MWP
109	515-049	Single Wire Terminal

Location #	Part #	Description
110	510-481	O-ring
111	555-175	Packing Gland
112	520-113	Ferrule Set
113	555-178	Packing Nut
114	515-045	W.P. Connector (Male) 4 Pin
115	505-047	W.P. Connector Assembly

NOTE: For complete assemblies

515-023 Comm. Assembly w/Posts— see location #76, main exploded view.

515-024 Comm. Assembly w/MWP— see location #75, main exploded view.

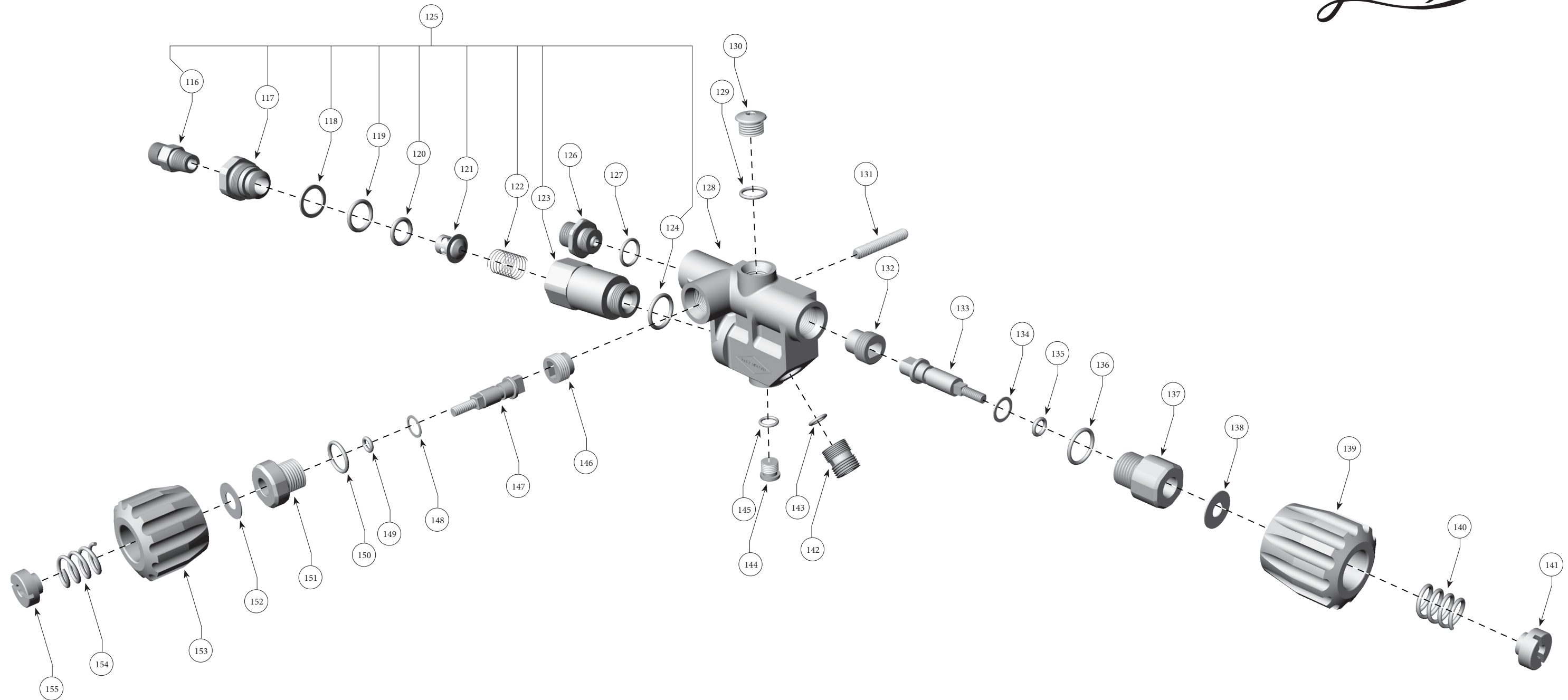


Kirby Morgan Dive Systems, Inc.® 1430 Jason Way, Santa Maria, CA 93455

Phone: 805/928-7772 Fax: 805/928-0342

[www.KirbyMorgan.com](http://www.KirbyMorgan.com) e-mail: [kmdsi@KirbyMorgan.com](mailto:kmdsi@KirbyMorgan.com)

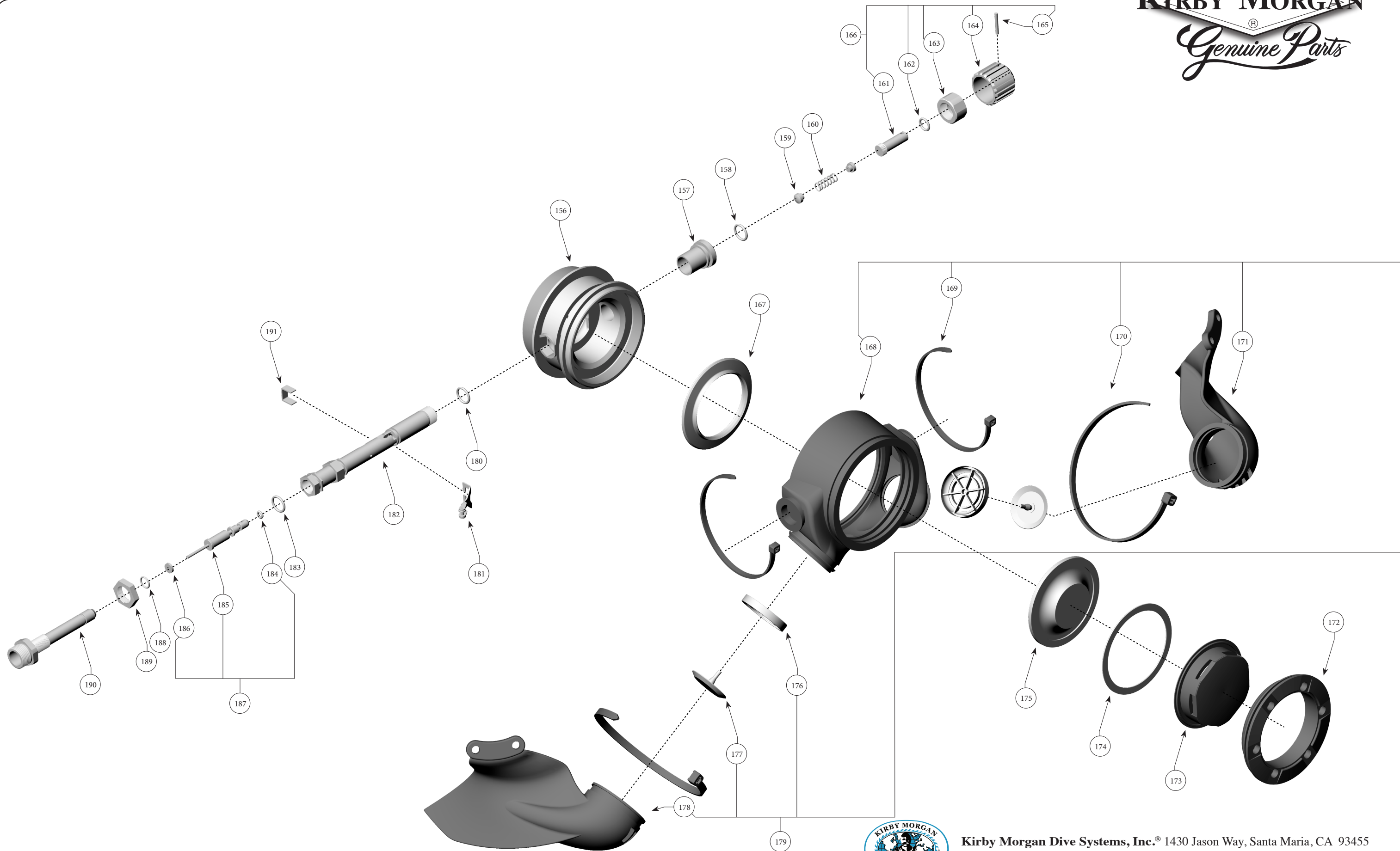
# Sideblock Assembly P/N 505-732



Kirby Morgan Dive Systems, Inc.® 1430 Jason Way, Santa Maria, CA 93455

Phone: 805/928-7772 Fax: 805/928-0342

[www.KirbyMorgan.com](http://www.KirbyMorgan.com) e-mail: [kmdsi@KirbyMorgan.com](mailto:kmdsi@KirbyMorgan.com)



**Kirby Morgan Dive Systems, Inc.**<sup>®</sup> 1430 Jason Way, Santa Maria, CA 93455  
 Phone: 805/928-7772 Fax: 805/928-0342  
[www.KirbyMorgan.com](http://www.KirbyMorgan.com) e-mail: [kmdsi@KirbyMorgan.com](mailto:kmdsi@KirbyMorgan.com)

### Sideblock Assembly for KM 77 P/N 505-732

### REX<sup>®</sup> Regulator Assembly P/N 505-278

Location #	Part #	Description
116	555-117	Adapter
117	Order 555-195	Seat
118	Order 525-330	Wiper
119	Order 525-330	O-ring
120	Order 525-330	O-ring
121	Order 555-195	Poppet
122	Order 525-330	Spring
123	Order 555-195	One-Way Valve
124	510-483	O-ring
125	505-060	One-Way Valve Assembly
126	550-046	Inlet Nipple
127	510-014	O-ring
128	560-540	Sideblock Body, Stainless Steel
129	510-013	O-ring
130	350-062	Plug, Large
131	550-178	Stud
132	550-023	Seat Assembly
133	550-022	Valve Stem
134	520-031	Washer
135	510-010	O-ring
136	510-015	O-ring
137	550-568	Bonnet
138	520-030	Washer
139	520-524	Flex Knob, Steady Flow
140	535-802	Spring
141	550-019	Lock Nut
142	550-564	Adapter*
143	520-033	O-ring, Teflon <sup>®</sup> *
144	550-095	Plug w/O-ring
145	310-003	O-ring
146	550-553	Seat Assembly
147	550-548	Valve Stem
148	520-523	Washer
149	510-008	O-ring
150	510-014	O-ring
151	550-551	Bonnet
152	520-522	Washer
153	520-525	Flex Knob, Emergency
154	535-802	Spring
155	550-019	Lock Nut

\*Dealer Service only

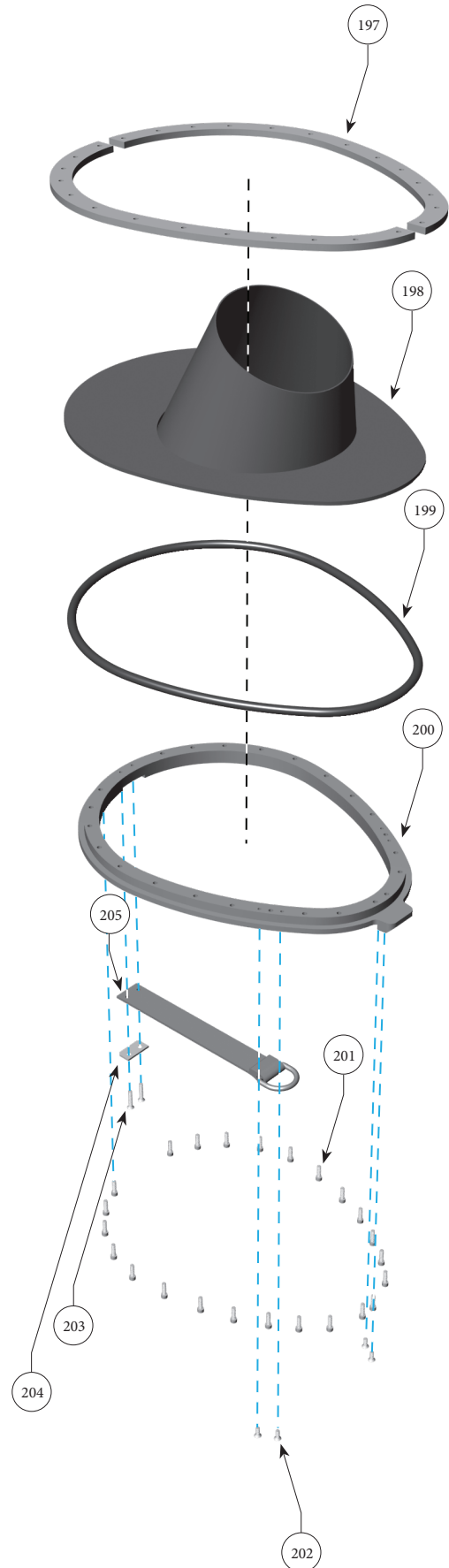
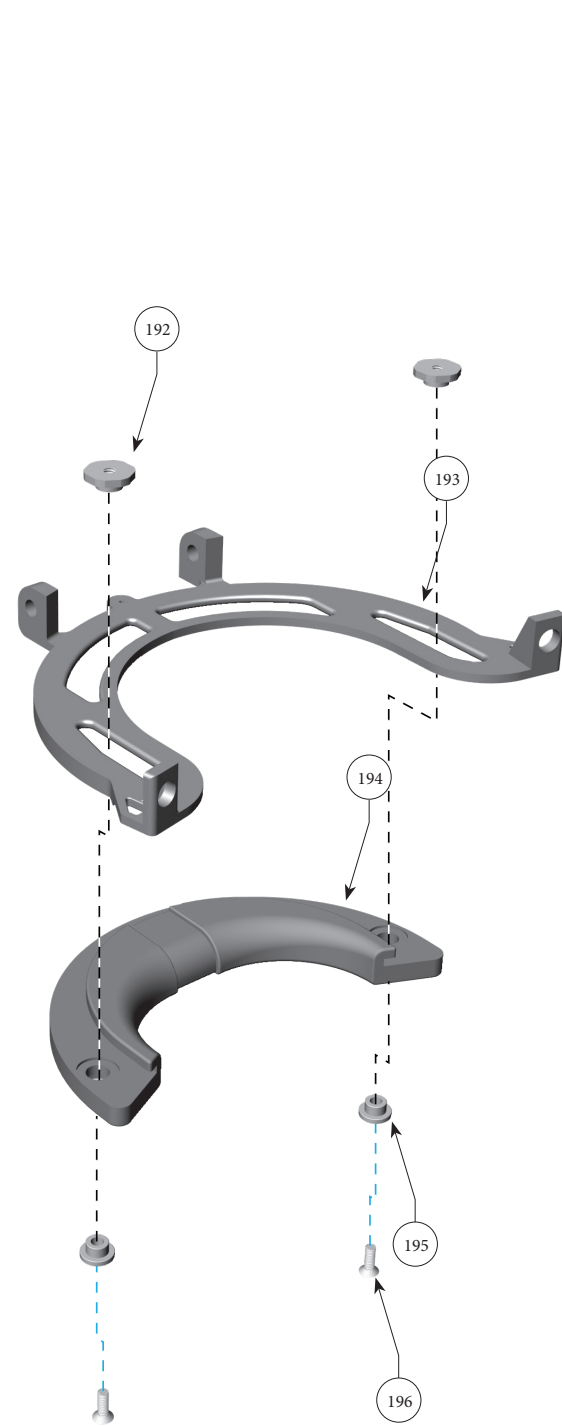
Location #	Part #	Description
156	560-514	Regulator Body, REX
157	350-035	Sleeve
158	510-015	O-ring
159	350-065	Spacer
160	535-910	Spring
161	350-052	Adjustment Shaft
162	510-011	O-ring
163	350-025	Packing Nut
164	320-035	Adjustment Knob
165	530-601	Retaining Pin
166	305-045	Adjustment Knob Assembly
167	510-777	Exhaust Valve, REX Regulator
168	510-783	Whisker, Main Body, REX
169	520-038	Tie-Wrap
170	520-042	11" Tie Wrap
171	510-785	Port Whisker Wing, REX
172	550-042	Cover Retaining Ring
173	510-006	Cover, REX
174	320-030	Washer
175	510-553	Diaphragm
176	520-200	Valve Seat
177	510-776	Exhaust Valve
178	510-784	Starboard Whisker Wing, REX
179	525-764	REX Whisker Wing Exhaust Kit
180	310-013	O-ring
181	545-038	Roller Lever Arm Assembly
182	350-032	Main Tube
183	310-013	O-ring
184	310-006	O-ring
185	Order 305-057	Inlet Valve Assembly
186	310-070	Seat, Inlet Valve
187	305-057	Inlet Valve Assembly, EXO-BR, REX
188	310-007	O-ring
189	550-560	Adjustment Lock Nut, REX
190	550-542	Nipple Tube, REX
191	340-004	Horseshoe



Kirby Morgan Dive Systems, Inc.<sup>®</sup> 1430 Jason Way, Santa Maria, CA 93455

Phone: 805/928-7772 Fax: 805/928-0342

[www.KirbyMorgan.com](http://www.KirbyMorgan.com) e-mail: [kmdsi@KirbyMorgan.com](mailto:kmdsi@KirbyMorgan.com)



**Locking Collar Assembly for KM 77 P/N 505-755**

Location #	Part #	Description
192	550-113	Adjustment Nut, Neck Pad
193	560-541	Locking Collar, Stainless Steel
194	520-098	Neck Pad
195	550-045	T-Washer
196	530-064	Screw

**Neck Ring Assembly for KM 77 P/N 505-746**

Location #	Part #	Description
197	540-546	Split Ring, Stainless Steel (2 Required)
198	510-628	Neoprene Neck Dam, Medium
199	510-450	O-ring, Neck Ring
200	560-542	Stepped Ring, Stainless Steel
201	530-024	Screw
202	530-022	Screw
203	530-220	Screw
204	540-115	Strap Plate
205	505-142	Pull Strap Assembly



Kirby Morgan Dive Systems, Inc.<sup>®</sup> 1430 Jason Way, Santa Maria, CA 93455

Phone: 805/928-7772 Fax: 805/928-0342

[www.KirbyMorgan.com](http://www.KirbyMorgan.com) e-mail: [kmdsi@KirbyMorgan.com](mailto:kmdsi@KirbyMorgan.com)