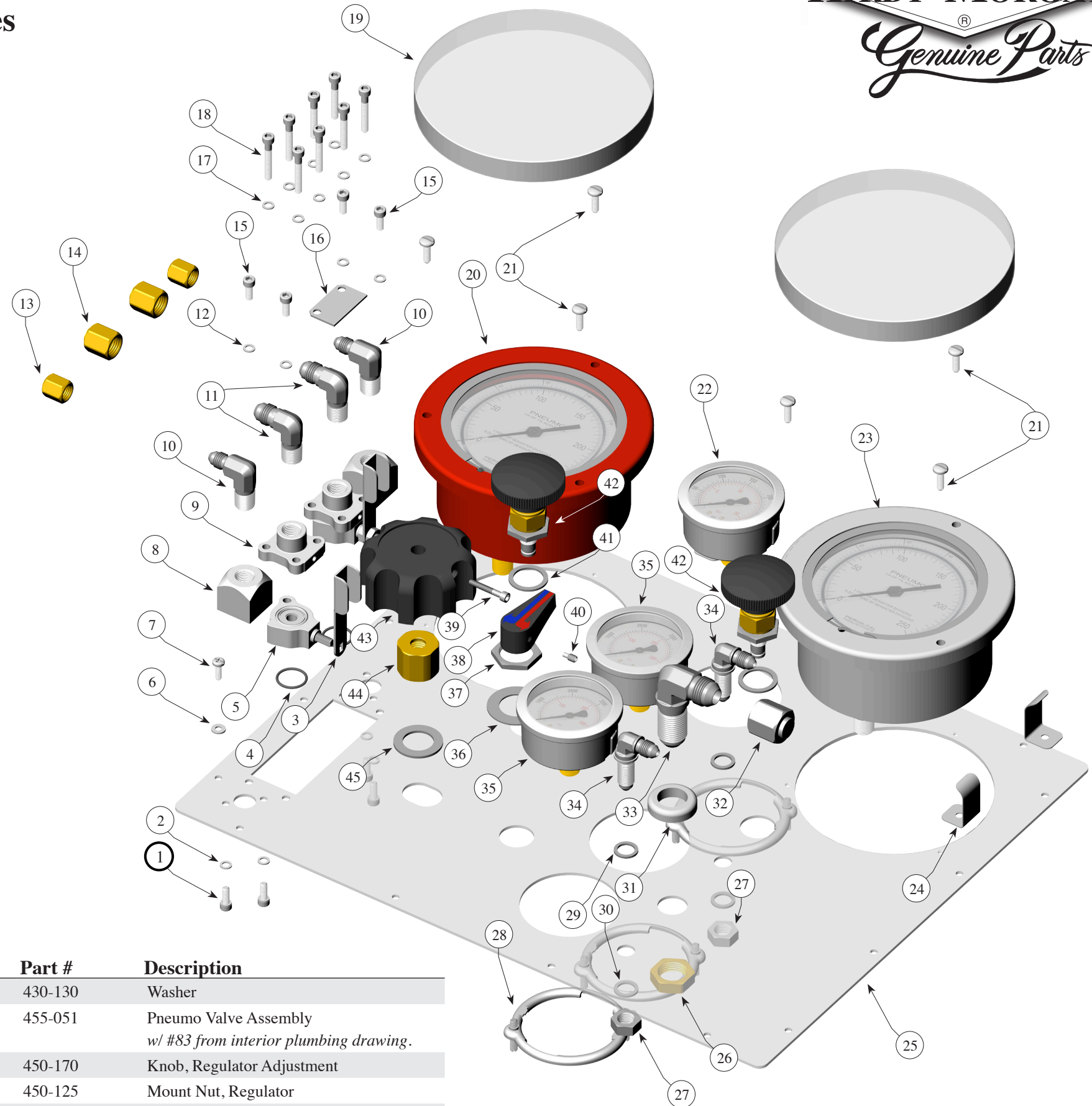


## KMACS-5 Panel Mounted Plumbing and Gauges

Location #	Part #	Description
1	430-111	Screw
2	430-134	Washer
3	440-212	Shut-Off Valve Handle
4	510-017	O-ring
5	455-157	Shut-Off Valve
6	430-075	Washer
7	530-035	Screw
8	450-144	Pneumo Block
9	450-185	Flange
10	455-032	SS Elbow
11	455-143	SS Elbow
12	430-134	Washer
13	455-007	Cap, Pneumo
14	455-006	Cap, Umbilical Outlet Medium Cover Cap
15	430-111	Screw
16	440-210	Handle Stop
17	430-134	Washer
18	430-141	Screw
19	420-140	Gauge Cover
20	440-010	Pneumo Gauge, Red
21	530-040	Screw
22	440-150	Gauge, 0-300 psi
23	440-011	Pneumo Gauge, White
24	440-115	Hose Holder
25	445-100	KMACS-5 Main
26	455-152	Jam Nut
27	455-190	Jam Nut
28	445-020	Bracket, Gauge Mount
29	430-116	Washer
30	430-115	Washer, H.P. Inlet
31	450-136	Inlet Spacer
32	455-005	Cap, L.P. Inlet
33	455-111	L.P. Inlet Elbow
34	455-185	Elbow
35	440-155	Gauge, 0-5,000 psi
36	430-205	Selector Washer
37	455-140	Selector Valve Assembly w/ #102 from interior plumbing drawing.
38	420-225	Selector Handle
39	430-110	Screw
40	430-140	Set Screw, Handle



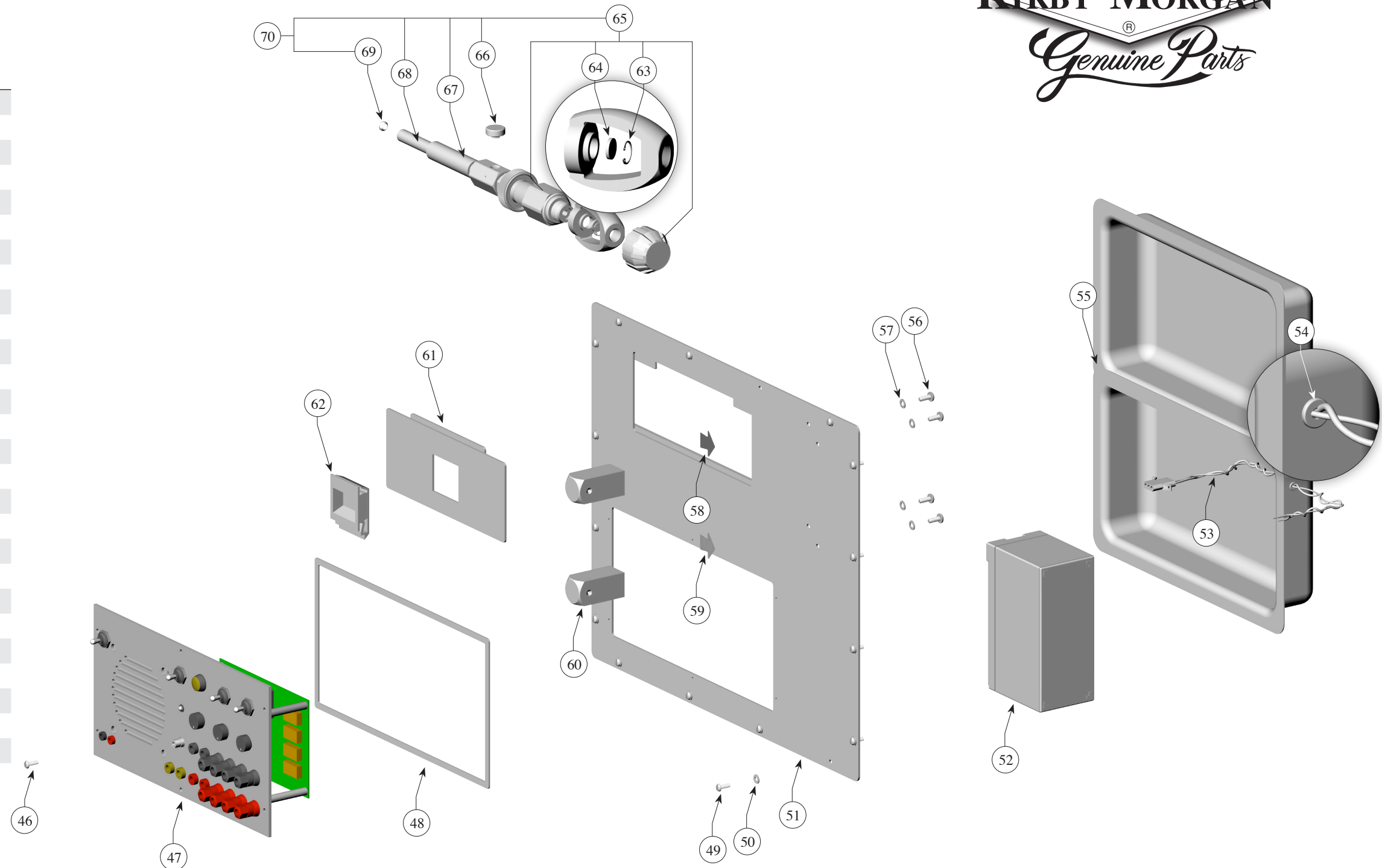
Location #	Part #	Description
41	430-130	Washer
42	455-051	Pneumo Valve Assembly w/ #83 from interior plumbing drawing.
43	450-170	Knob, Regulator Adjustment
44	450-125	Mount Nut, Regulator
45	430-126	Washer

## Communicator Panel

Location #	Part #	Description
46	530-017	Screw
47	415-107	Communicator
48	410-003	Gasket, Foam Tape 1/16" x 1/4"
49	530-035	Screw
50	430-075	Flat Washer
51	445-105	Top Panel
52	415-056	Battery
53	415-110	Cable, Battery
54	410-145	1" Panel Grommet
55	420-105	Communicator Cover
56	530-070	Screw
57	330-405	Lock washer
58	420-120	Arrow, 1" Blue
59	420-125	Arrow, 1" Orange
60	450-106	Yoke Retainer Block, Tall
61	420-160	Slide Latch
62	445-115	Door
63	430-060	Retainer Ring
64	455-065	Filter
65	455-317	Yoke / Din Assembly
66	455-294	Screw, Bleeder Valve
67	410-006	Hose Protector, Orange
	410-007	Hose Protector, Blue
68	455-054	5000 PSI Hose (45" HP Hose)
69	455-135	Conical Seal
70	405-175	Yoke / Din Assembly, Blue
	405-176	Yoke / Din Assembly, Orange

### Not Shown

Part #	Description
420-101	Case
415-030	Battery Charger Assembly



Kirby Morgan Dive Systems, Inc.<sup>®</sup> 1430 Jason Way, Santa Maria, CA 93455

Phone: 805/928-7772 Fax: 805/928-0342

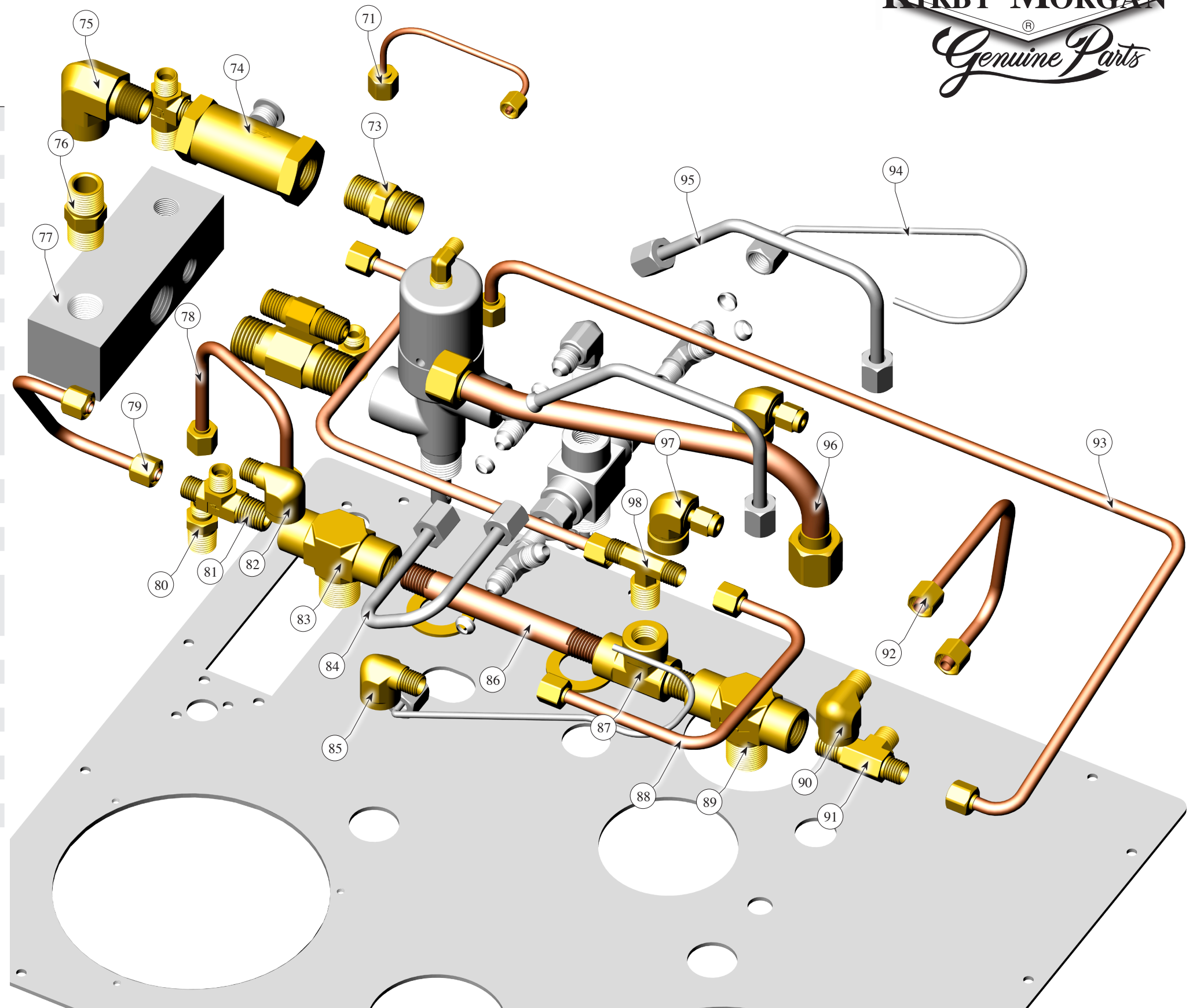
[www.KirbyMorgan.com](http://www.KirbyMorgan.com) e-mail: [kmdsi@KirbyMorgan.com](mailto:kmdsi@KirbyMorgan.com)

### CAUTION

Use only Kirby Morgan original replacement parts. The use of other manufacturers' parts will interfere with the performance characteristics of your life support equipment and may jeopardize your safety. Additionally, any substitutions will void any warranties offered by KMDSI. When ordering spares, always insist on Kirby Morgan original parts.

## Interior Plumbing Arrangement

Location #	Part #	Description
71	405-155	Tube, Regulator Sensor
72	455-075	Male Elbow
73	455-024	Inlet Union
74	455-049	Check Valve, L.P.
75	455-120	Elbow
76	455-126	3/8" NPT Nipple
77	450-142	Manifold Block
78	405-160	Outlet Tube, Red Pneumo
79	405-150	Tube, Red Pneumo Gauge
80	455-149	Male Connector
81	455-180	Tee
82	455-040	Elbow
83	455-051	Pneumo Valve w/ #42 from Panel Mounted Plumbing and Gauges drawing
84	405-106	SS Tube Assembly, H.P.
85	455-040	Elbow
86	455-123	Nipple
87	455-121	Street "T"
88	405-107	Tube, Umbilical Pressure Gauge
89	455-051	Pneumo Valve w/ #42 from Panel Mounted Plumbing and Gauges drawing
90	455-040	Elbow
91	455-180	Tee
92	405-102	Tube, White Pneumo Gauge
93	405-161	Outlet Tube, White Pneumo
94	405-170	Tube, H.P. Gauge
95	405-105	Inlet Tube, H.P.
96	405-110	L.P. Air Supply
97	455-305	Elbow Assembly
98	455-117	Fitting



### ⚠ CAUTION

Use only Kirby Morgan original replacement parts. The use of other manufacturers' parts will interfere with the performance characteristics of your life support equipment and may jeopardize your safety. Additionally, any substitutions will void any warranties offered by KMDSI. When ordering spares, always insist on Kirby Morgan original parts.



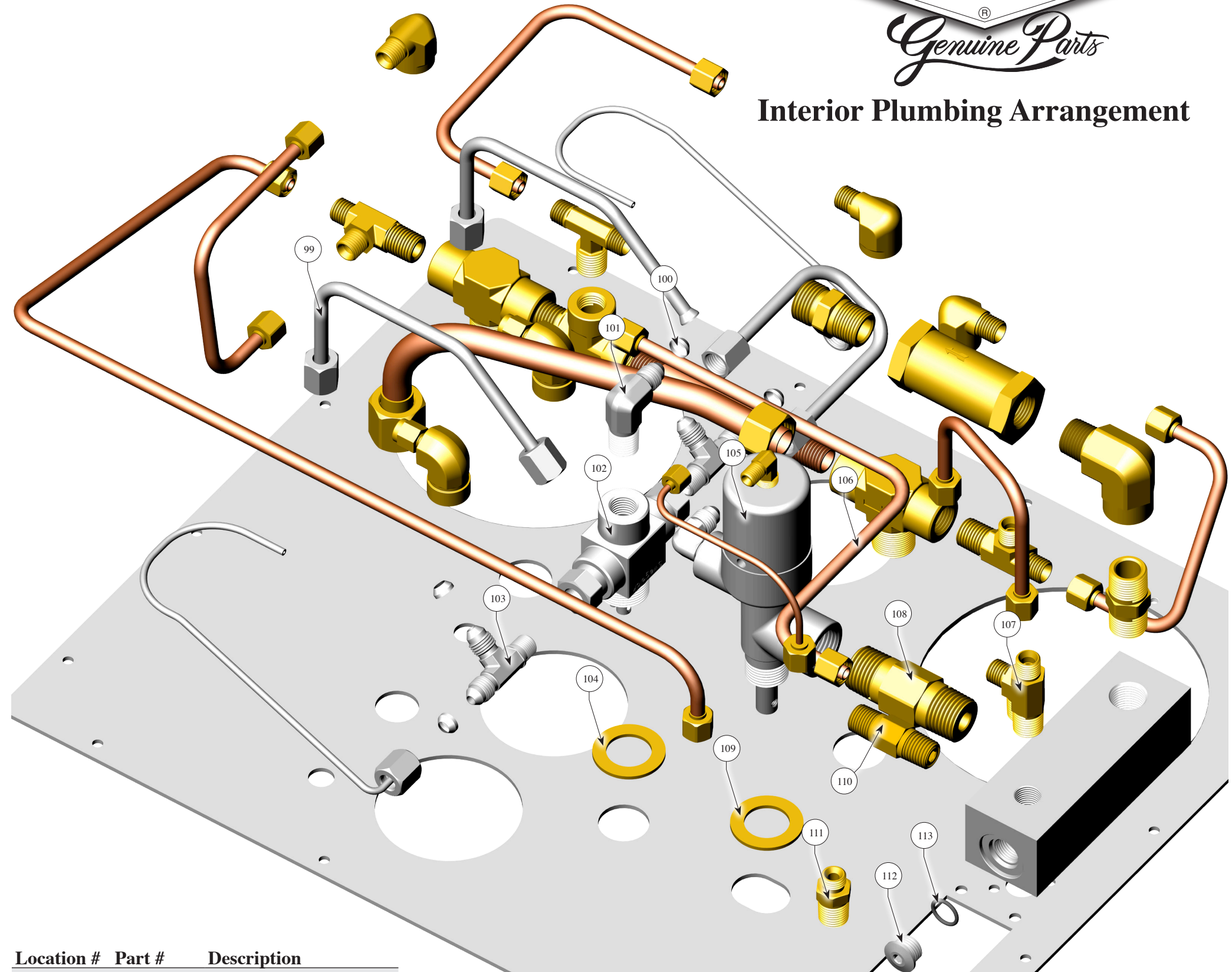
Kirby Morgan Dive Systems, Inc.<sup>®</sup> 1430 Jason Way, Santa Maria, CA 93455

Phone: 805/928-7772 Fax: 805/928-0342

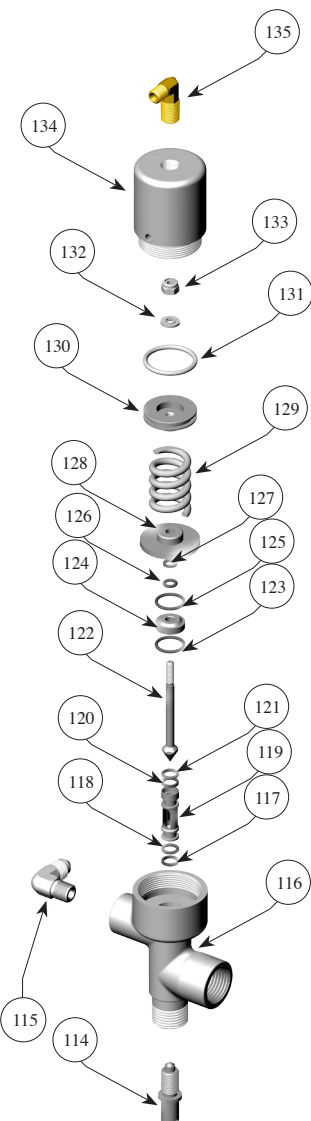
[www.KirbyMorgan.com](http://www.KirbyMorgan.com) e-mail: [kmdsi@KirbyMorgan.com](mailto:kmdsi@KirbyMorgan.com)

**Interior Plumbing Arrangement**

Location #	Part #	Description
99	405-105	Inlet Tube, H.P.
100	455-135	Conical Seal
101	455-032	Outlet Elbow Fitting S.S.
102	455-140	Selector Valve Panel w/ #37 from Panel Mounted Plumbing and Gauges drawing
103	455-196	Tee
104	430-120	Washer
105	405-120	Regulator Assembly
106	405-145	Tube, Main Pneumo Supply
107	455-180	Male Run Tee
108	455-130	Check Valve L.P.
109	430-126	Washer, Regulator Mount
110	455-047	Overpressure Relief Valve
111	455-149	Male Connector
112	350-062	L.P. Plug, High-Flow
113	510-013	O-ring



**405-120 Regulator Assembly**



Location #	Part #	Description
114	450-120	Stem, Regulator Adjustment
115	455-197	Male Elbow
116	450-157	Regulator Cylinder
117	410-010	O-ring
118	510-010	O-ring
119	450-038	Seat Assembly (includes 117, 118, 120 and 121)
120	410-010	O-ring
121	510-010	O-ring
122	450-037	Piston Stem
123	510-014	O-ring
124	450-034	Packing Washer, Small
125	510-014	O-ring
126	510-008	O-ring
127	410-008	Back-up Ring, Large Internal
128	450-033	O-ring Cap, Large
129	435-006	Spring
130	450-032	Piston Head
131	410-119	O-ring

Location #	Part #	Description
132	410-121	Thread Seal
133	430-022	Nylok Locknut
134	460-110	Regulator Body
135	455-075	Elbow



**Kirby Morgan Dive Systems, Inc.**<sup>®</sup> 1430 Jason Way, Santa Maria, CA 93455  
 Phone: 805/928-7772 Fax: 805/928-0342  
[www.KirbyMorgan.com](http://www.KirbyMorgan.com) e-mail: [kmsdi@KirbyMorgan.com](mailto:kmsdi@KirbyMorgan.com)